

IP65 and IP67 DIE-CAST ALUMINIUM ENCLOSURES



ETC IP65
CERTIFIED

ETC IP67
CERTIFIED

PRODUCT INFORMATION

- MATERIAL: Aluminium alloy ADC-12 to Japan (JIS)
- Finish: Natural aluminium color.
- Designed to meet IP65 / IP67 through the use of neoprene gasket with the universal tongue and groove seal system.
- Wall Mounting holes and lid fixing screws are outside the sealing area for realing protection.

LIGHT GREY(LG), BLACK(BK) OF POWDER COATED ALUMINIUM ENCLOSURES ARE AVAILABLE FOR ORDERING .
JUST NEED TO ADD THE COLOR CODE AFTER THE ITEM NO.
Ex: G124BK, G102LG



G118BK



G120LG



G104



G104-IP67

IP65 RATING

(with non-continuous gasket)

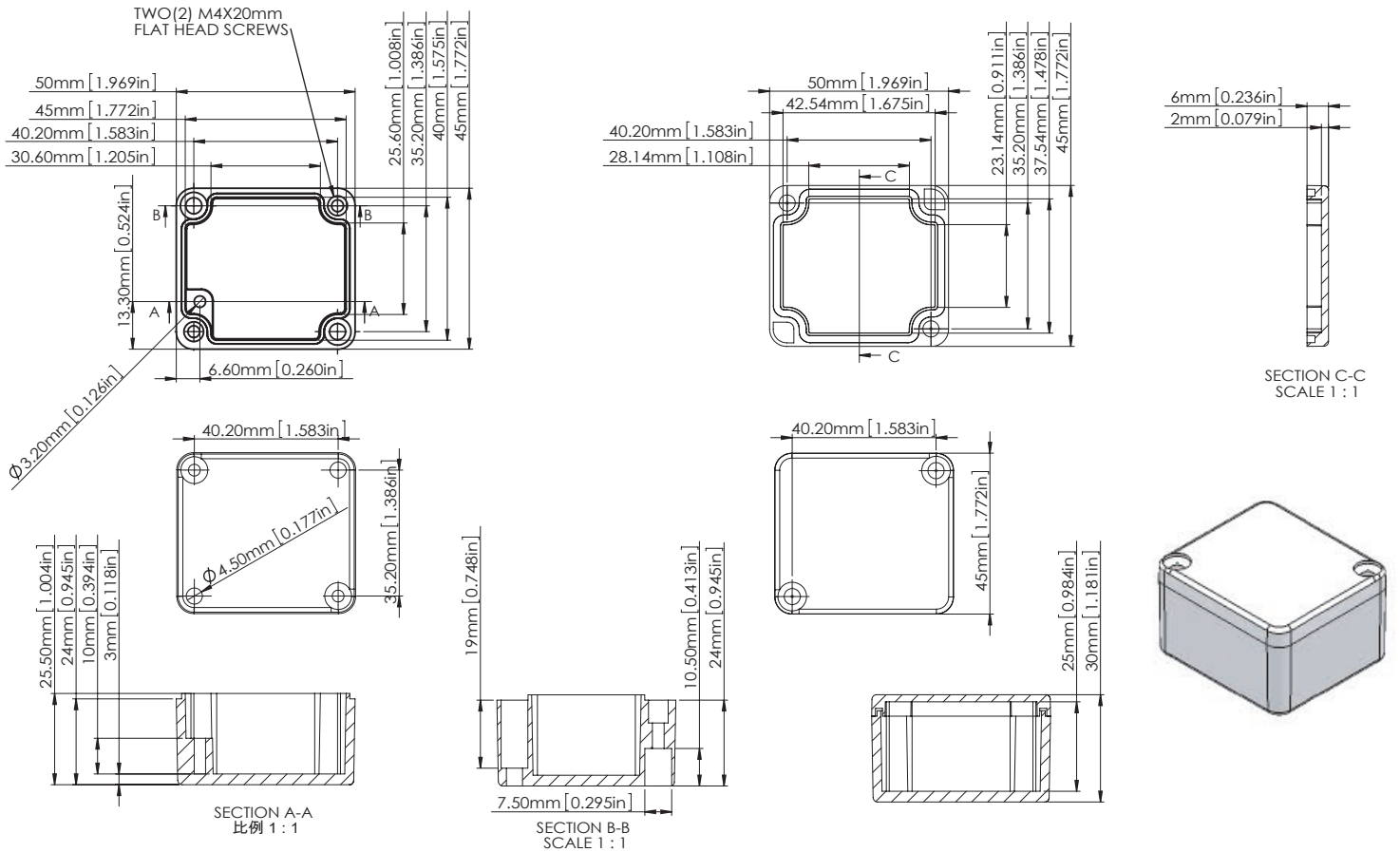
ITEM No.	EXTERNAL DIMENSION(mm)
G101	50 × 45 × 30
G102	90 × 36 × 30
G103	98 × 64 × 34
G104	64 × 58 × 35
G105	55.5 × 41 × 31
G106	115 × 65 × 30
G107	125 × 80 × 40
G108	125 × 80 × 57
G109	150 × 63 × 36.5
G110	79.6 × 74.6 × 52
G111	115 × 65 × 55
G112	175 × 80 × 60
G113	115 × 90 × 55
G115	148 × 108 × 75
G116	160 × 100 × 60
G117	160 × 100 × 81
G118	175 × 80 × 60
G120	171 × 121 × 55
G123	200 × 120 × 75
G124	222 × 146 × 55
G125	222 × 146 × 82
G137	120.5 × 120.5 × 101.5
G139	158.5 × 158.5 × 101.5
G155	260 × 160 × 90.5

IP67 RATING

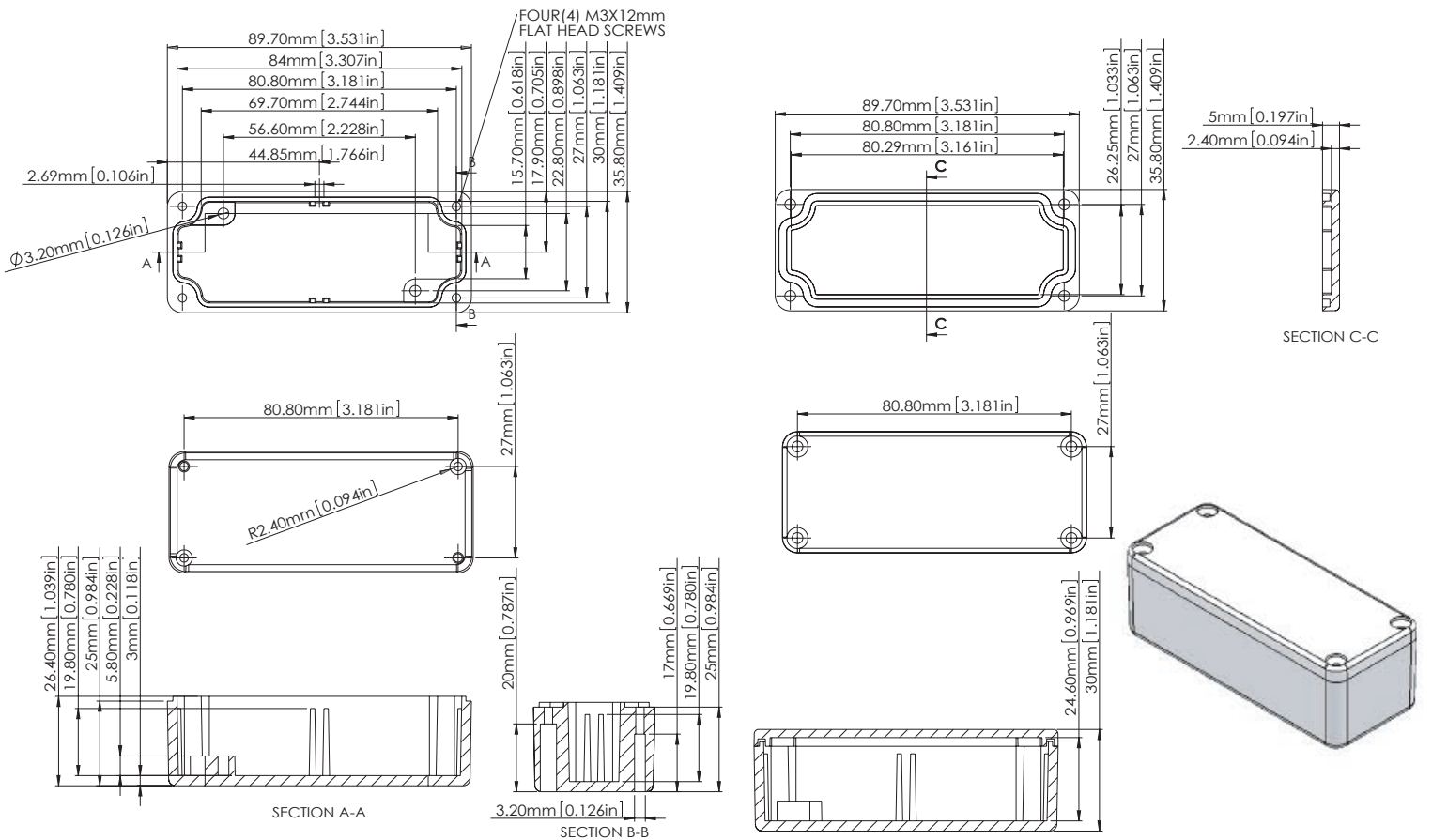
(with continuous seal)

ITEM No.	EXTERNAL DIMENSION(mm)
G101-IP67	50 × 45 × 30
G102-IP67	90 × 36 × 30
G103-IP67	98 × 64 × 34
G104-IP67	64 × 58 × 35
G105-IP67	55.5 × 41 × 31
G106-IP67	115 × 65 × 30
G107-IP67	125 × 80 × 40
G108-IP67	125 × 80 × 57
G109-IP67	150 × 63 × 36.5
G110-IP67	79.6 × 74.6 × 52
G111-IP67	115 × 65 × 55
G112-IP67	102.5 × 52.5 × 25.5
G113-IP67	115 × 90 × 55
G115-IP67	148 × 108 × 75
G116-IP67	160 × 100 × 60
G117-IP67	160 × 100 × 81
G118-IP67	175 × 80 × 60
G120-IP67	171 × 121 × 55
G123-IP67	200 × 120 × 75
G124-IP67	222 × 146 × 55
G125-IP67	222 × 146 × 82
G137-IP67	120.5 × 120.5 × 101.5
G139-IP67	158.5 × 158.5 × 101.5
G155-IP67	260 × 160 × 90.5

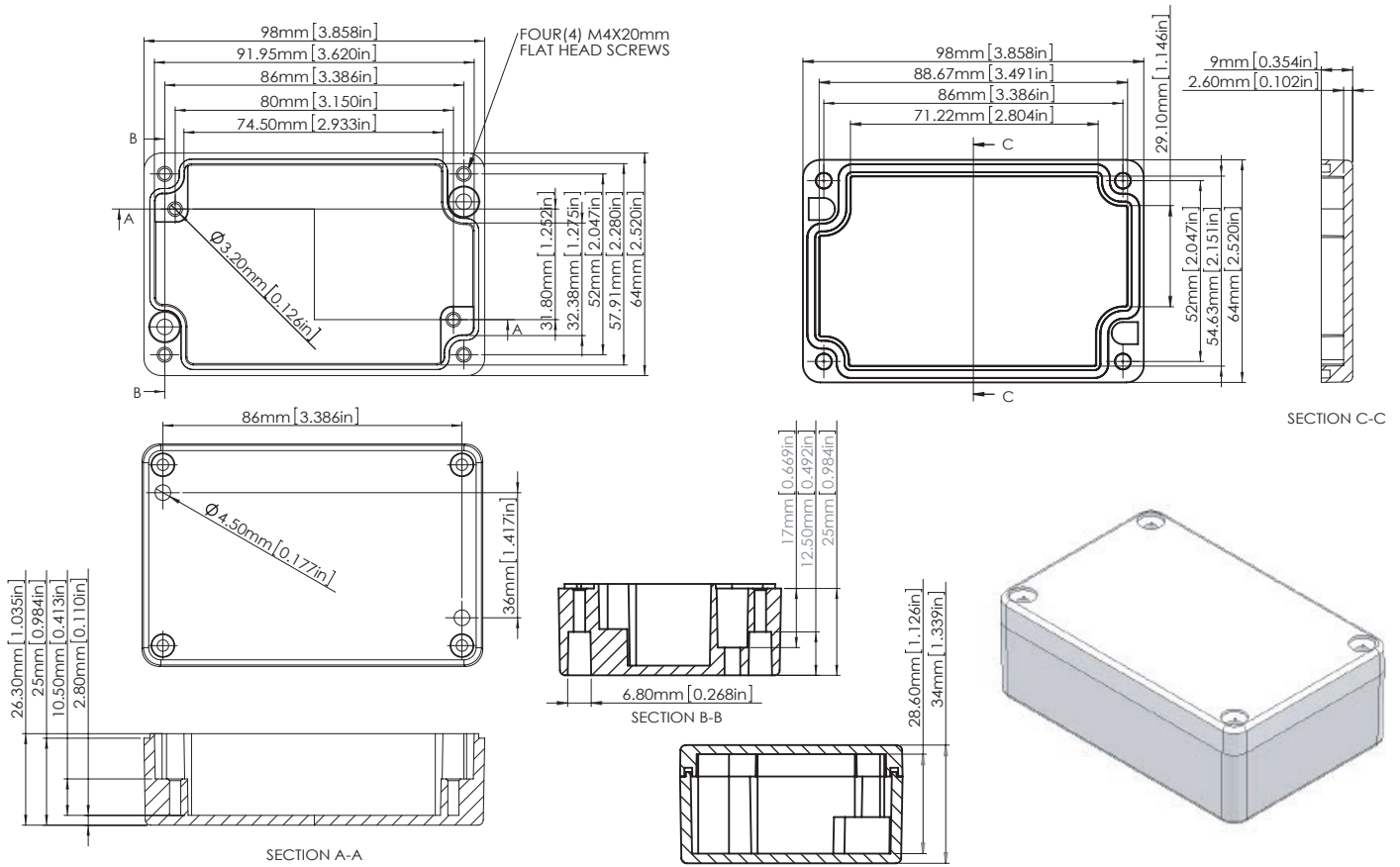
G101



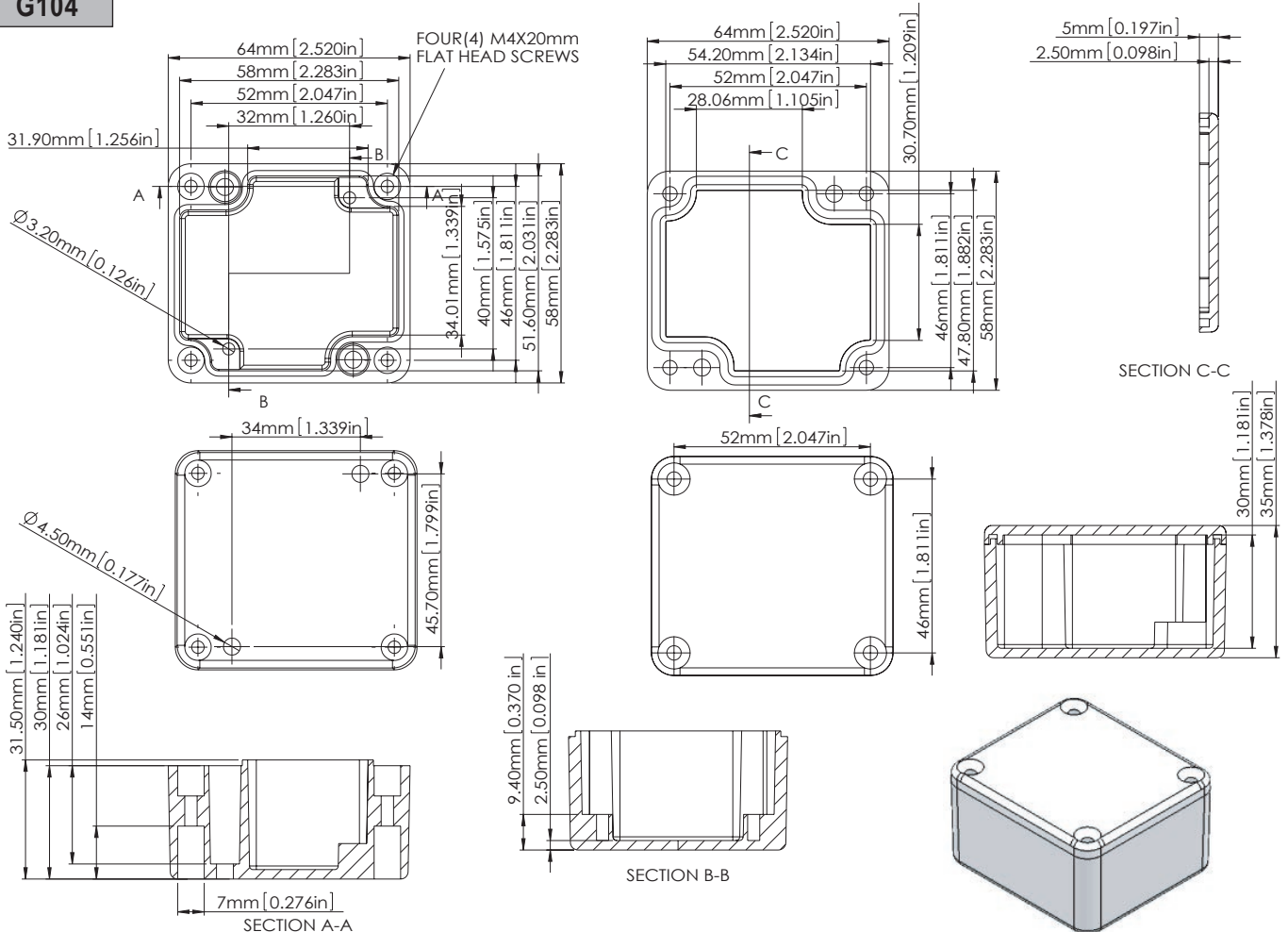
G102



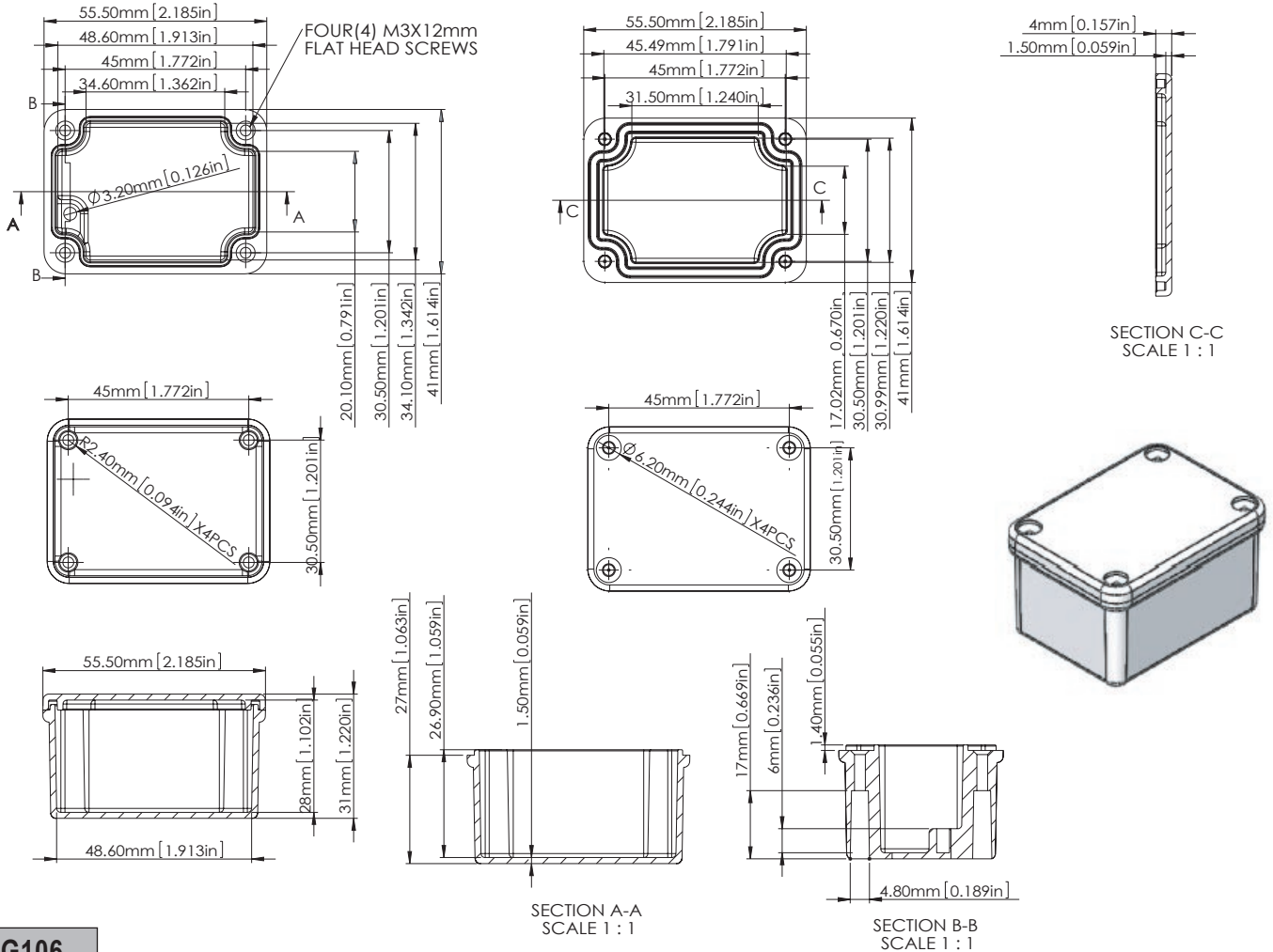
G103



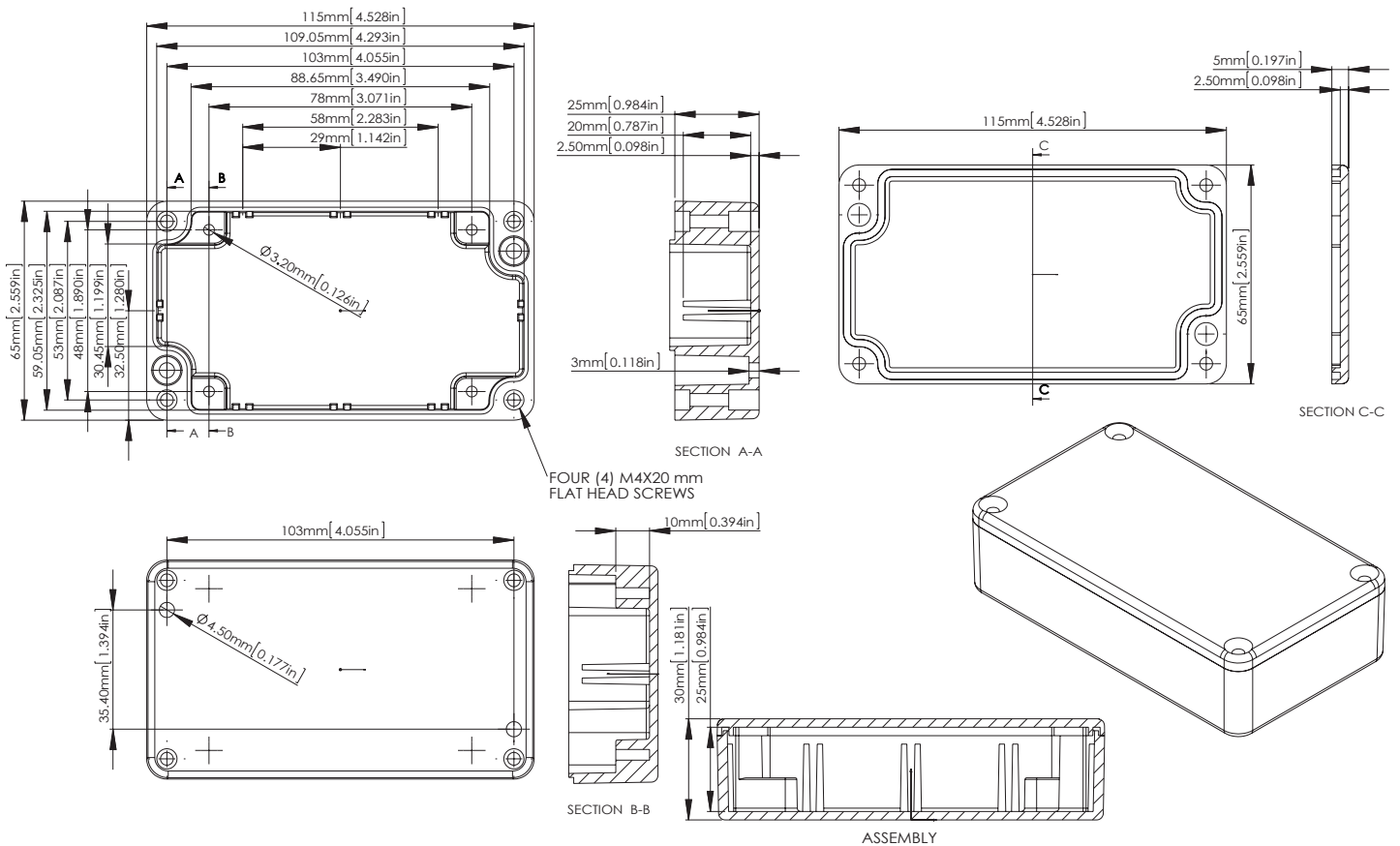
G104



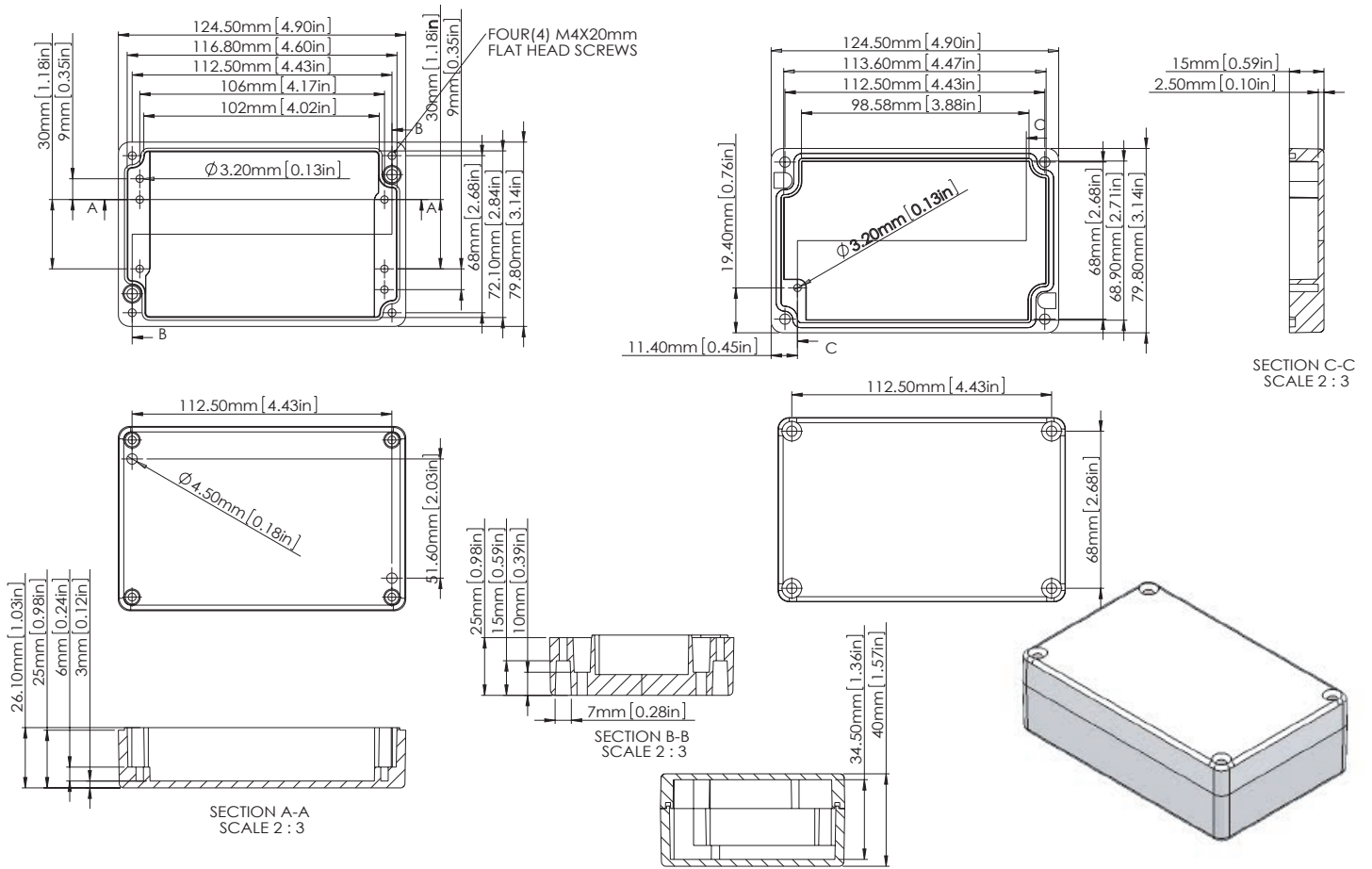
G105



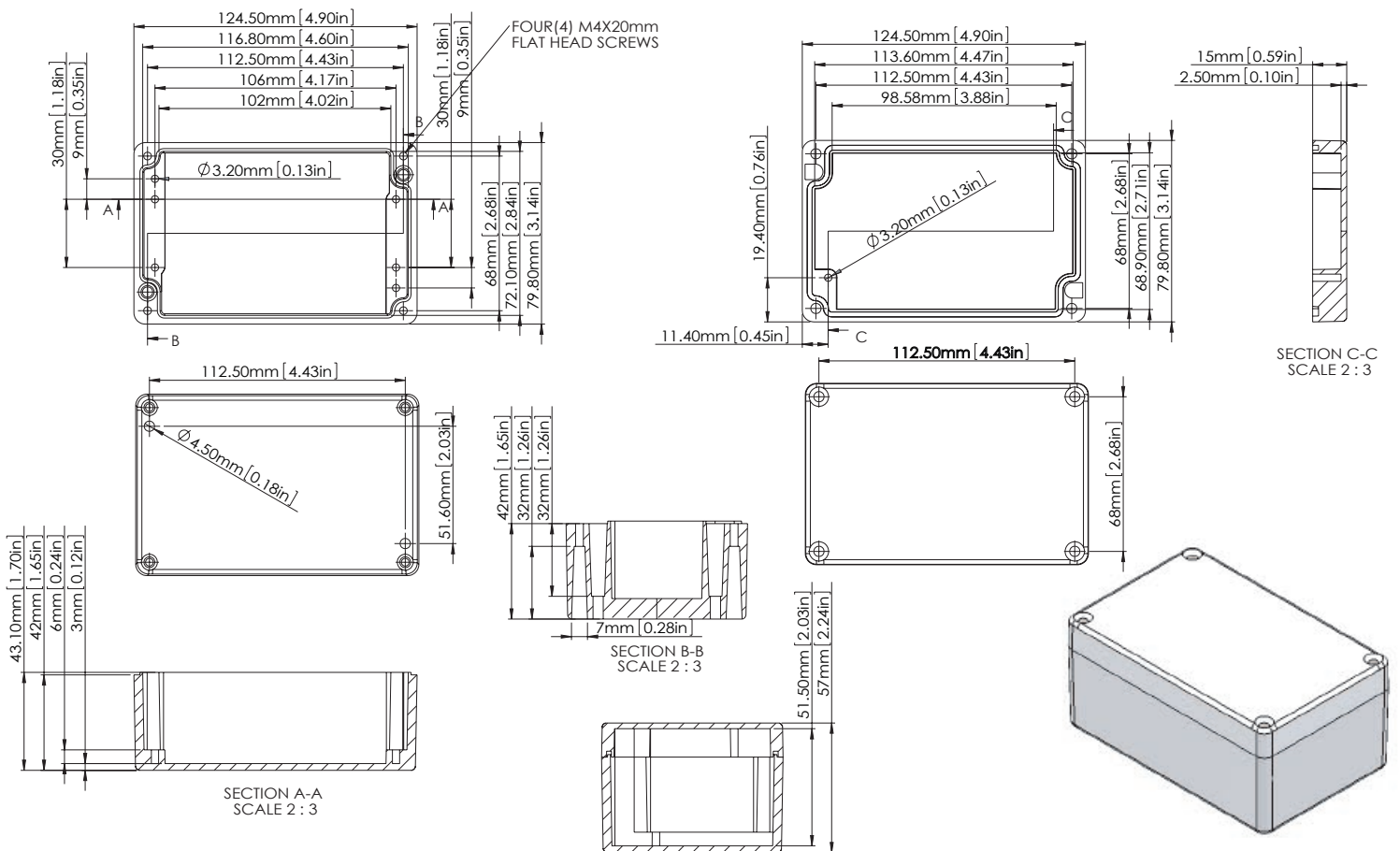
G106



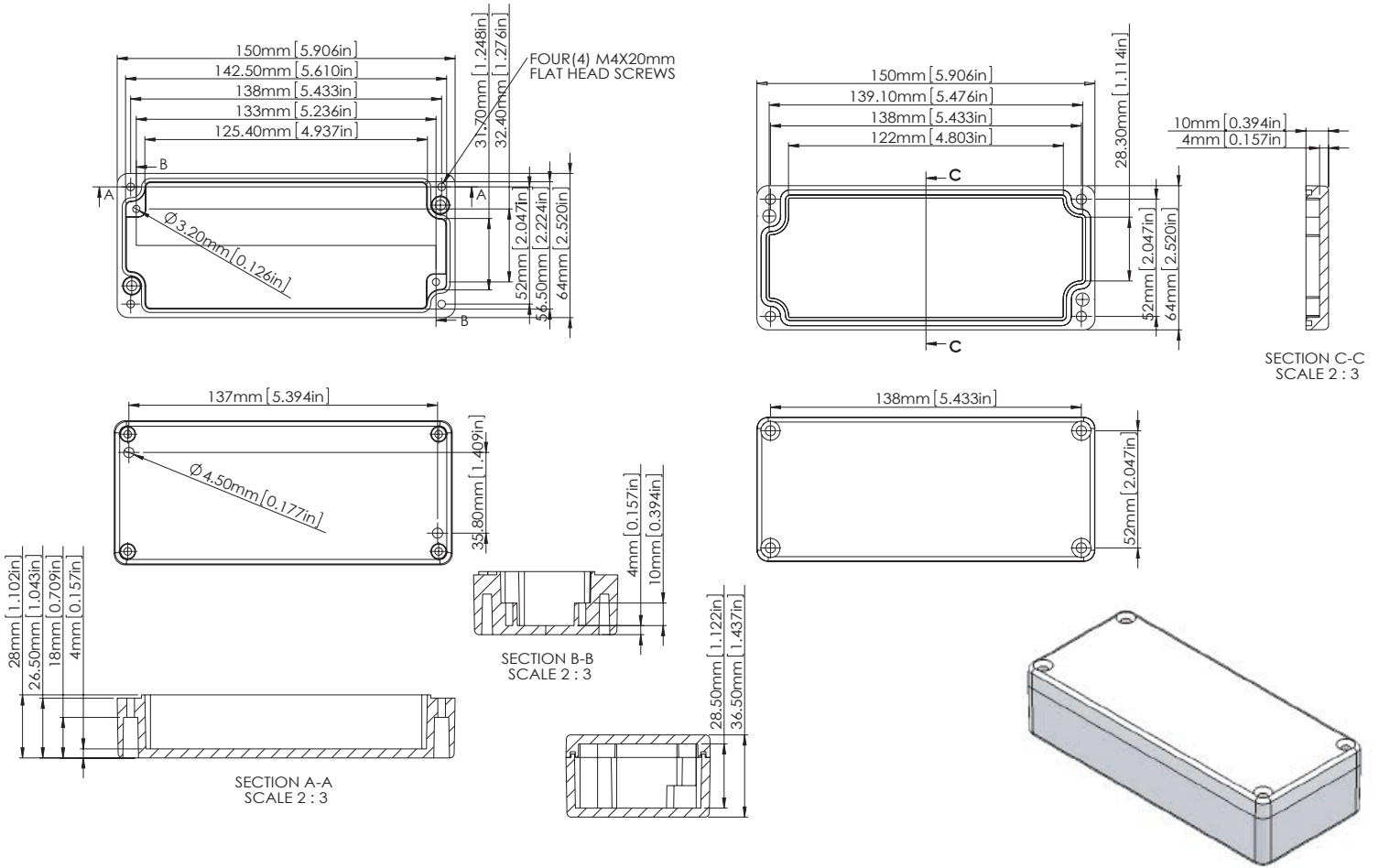
G107



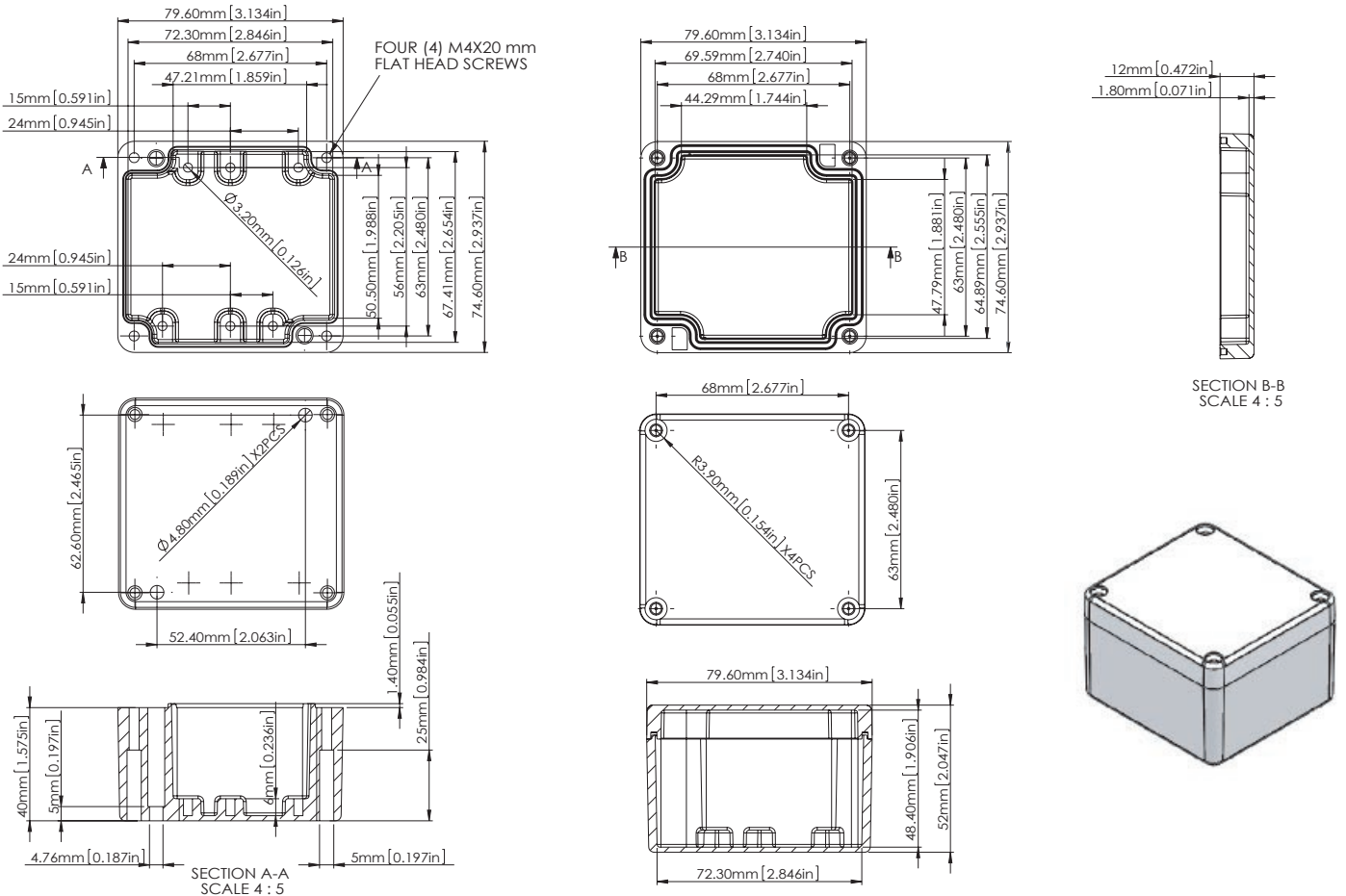
G108



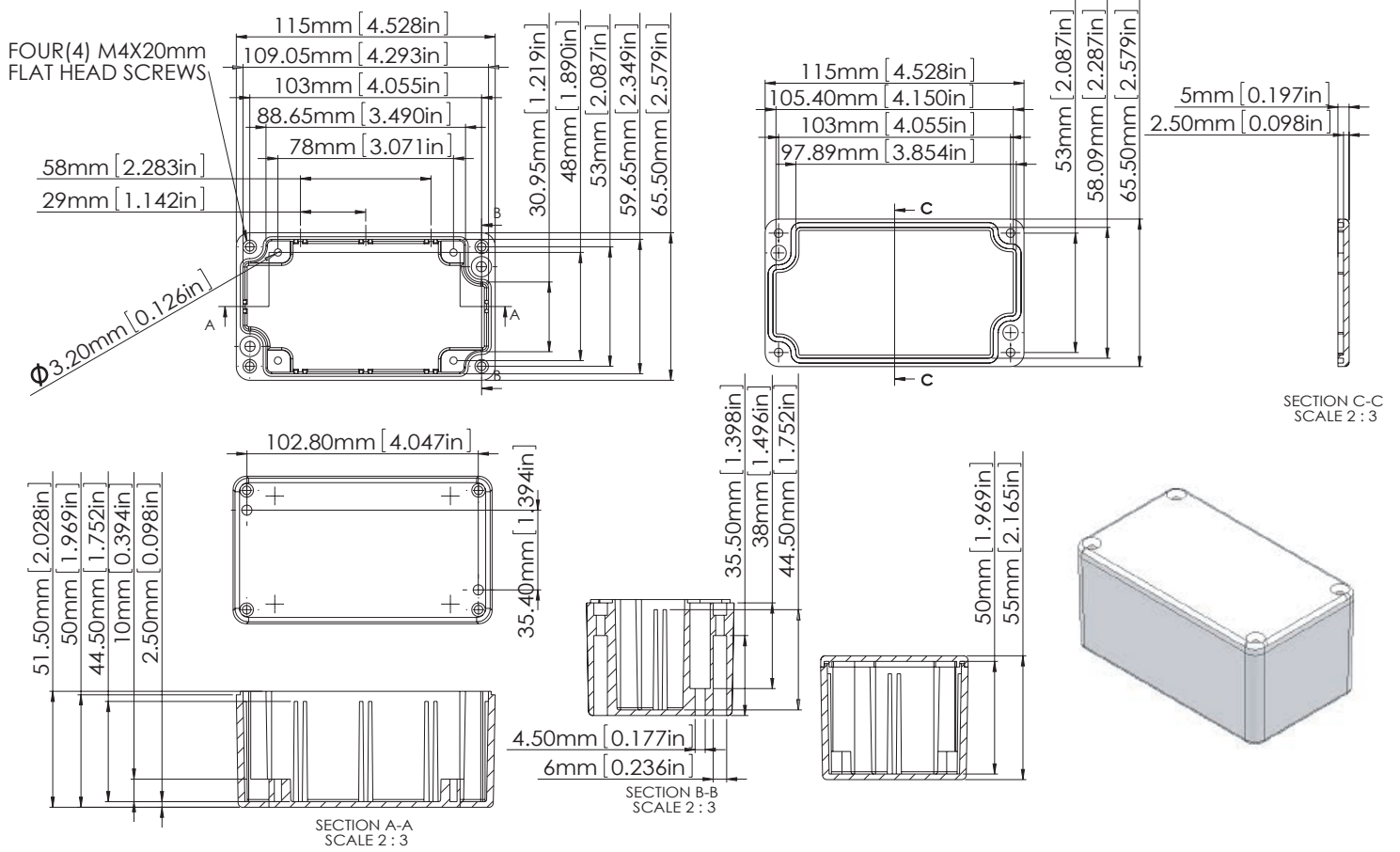
G109



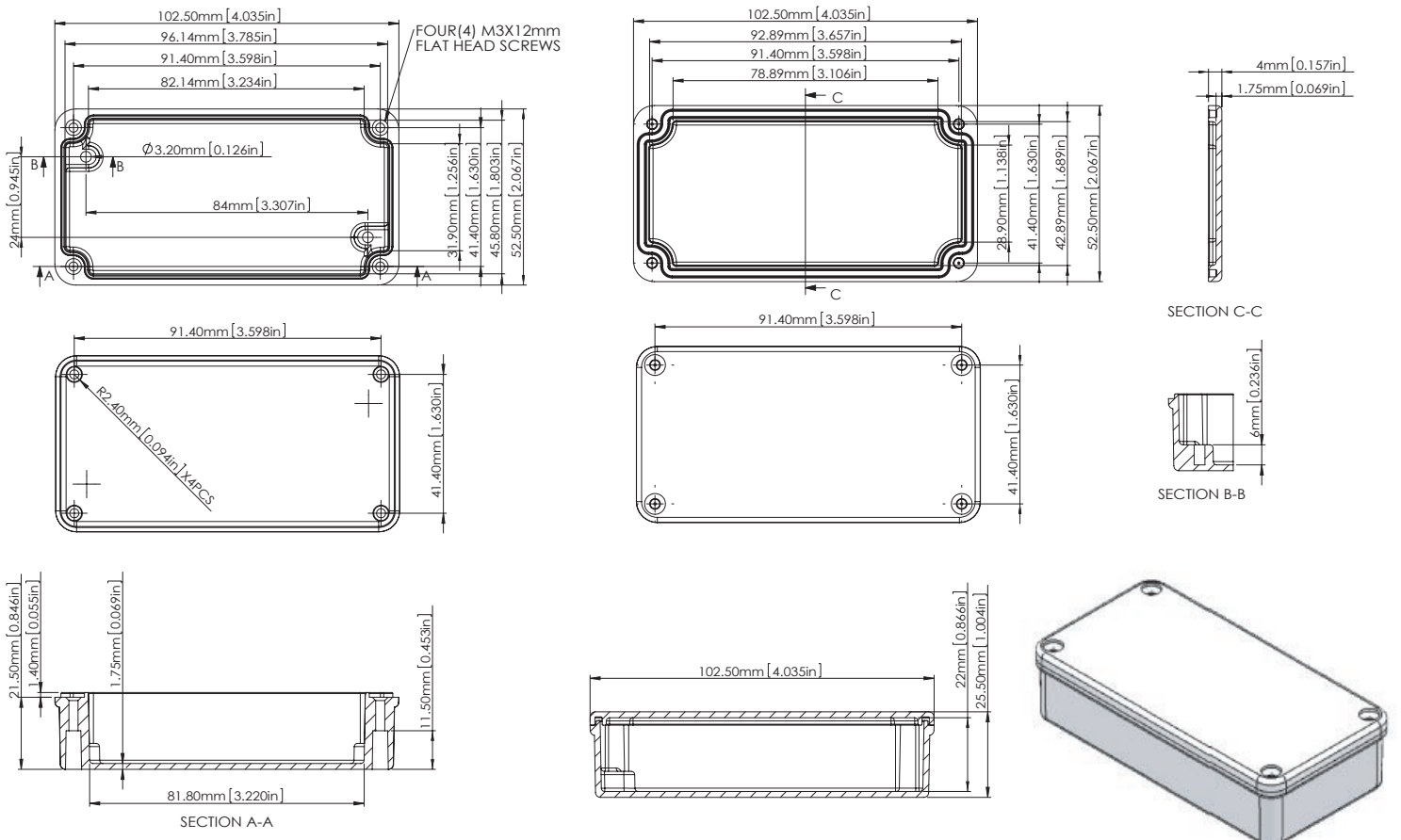
G110



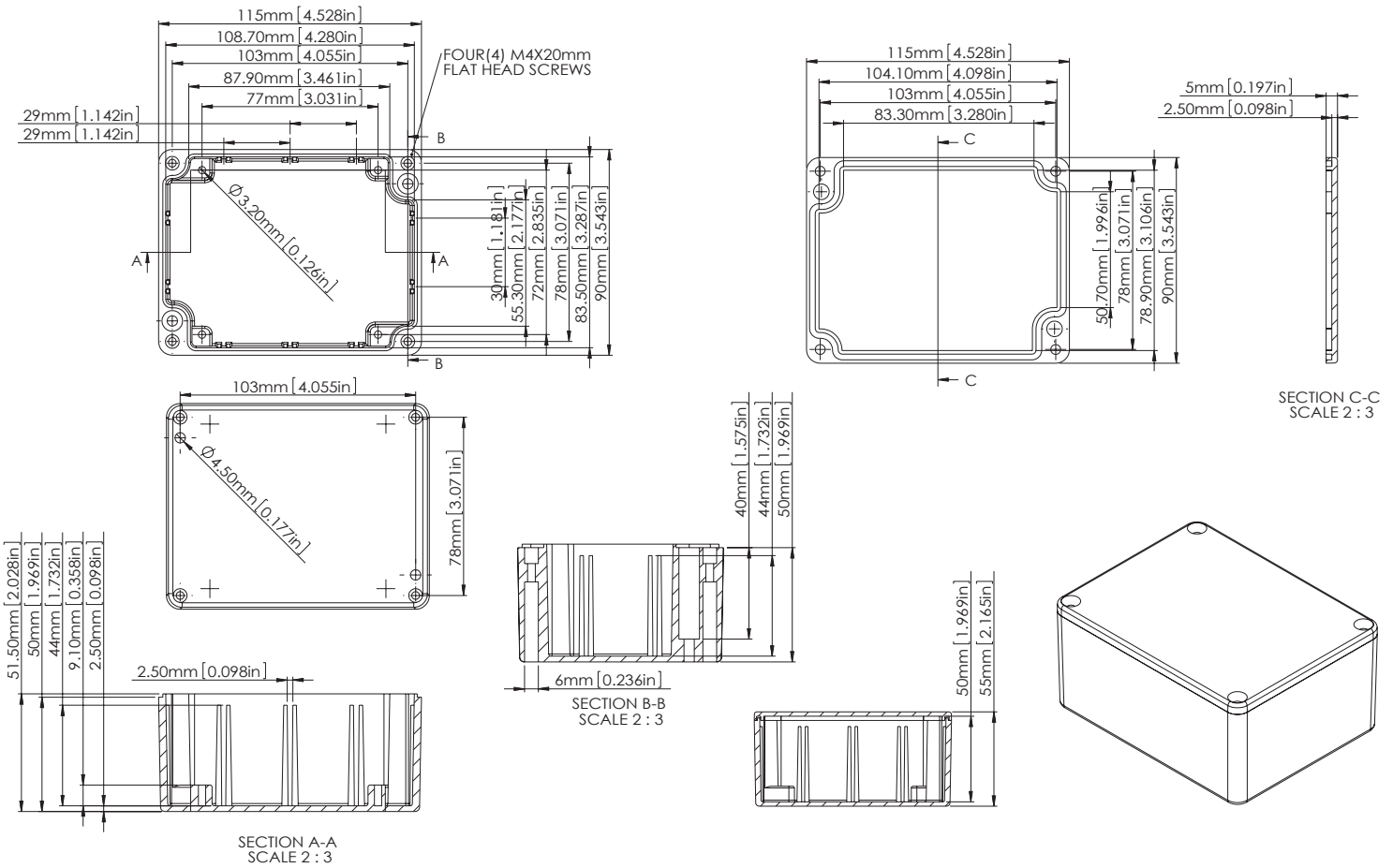
G111



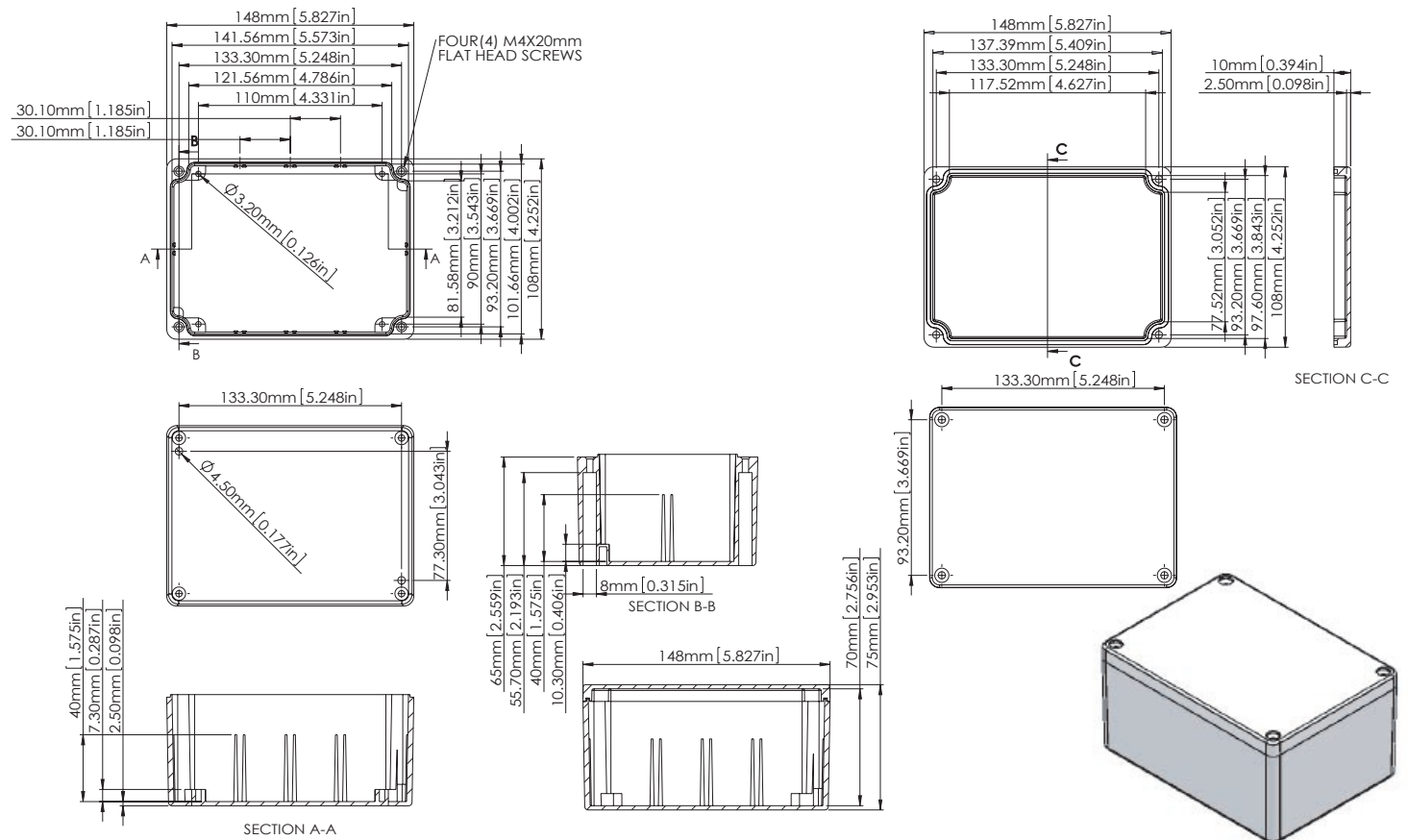
G112



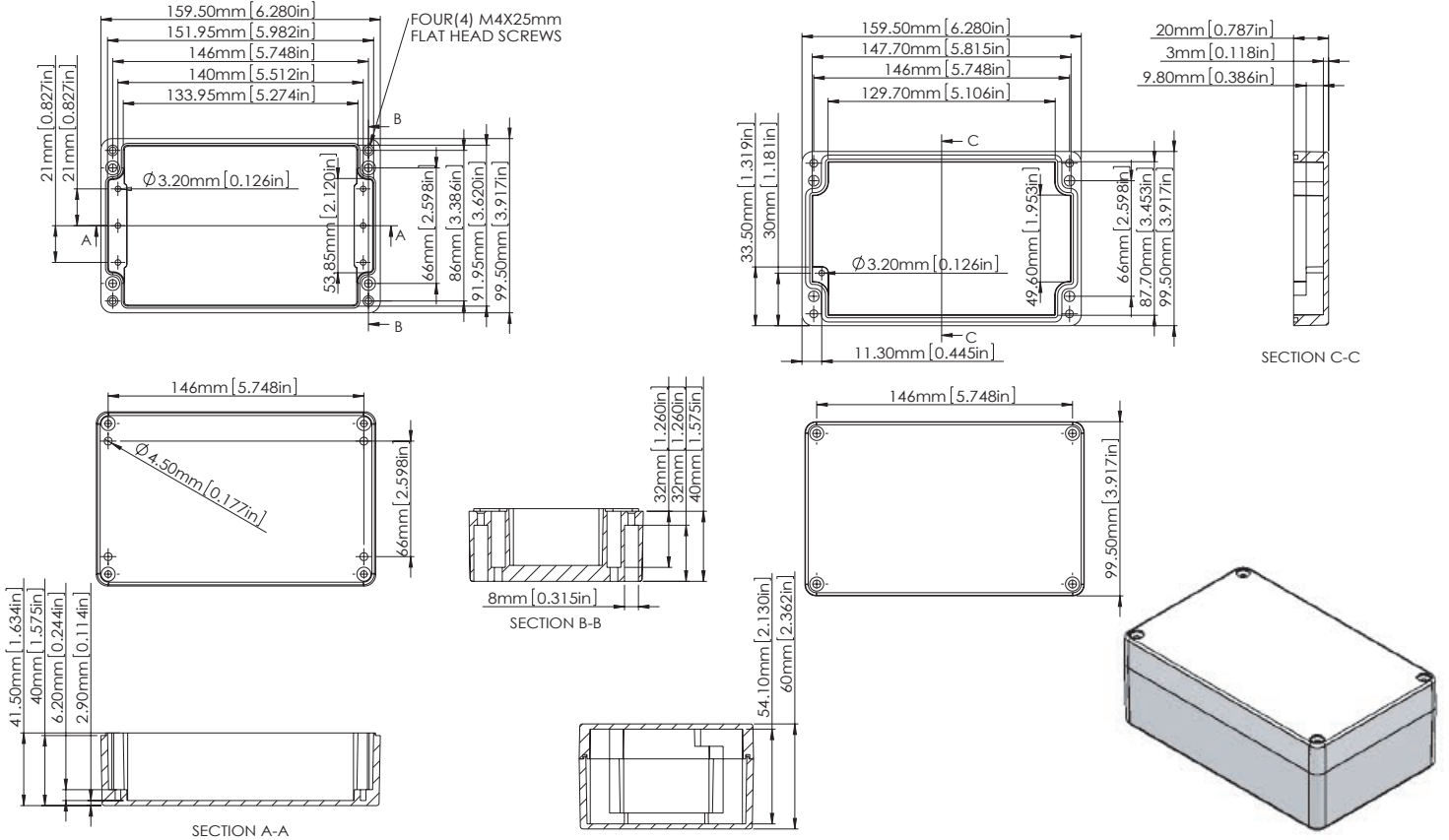
G113



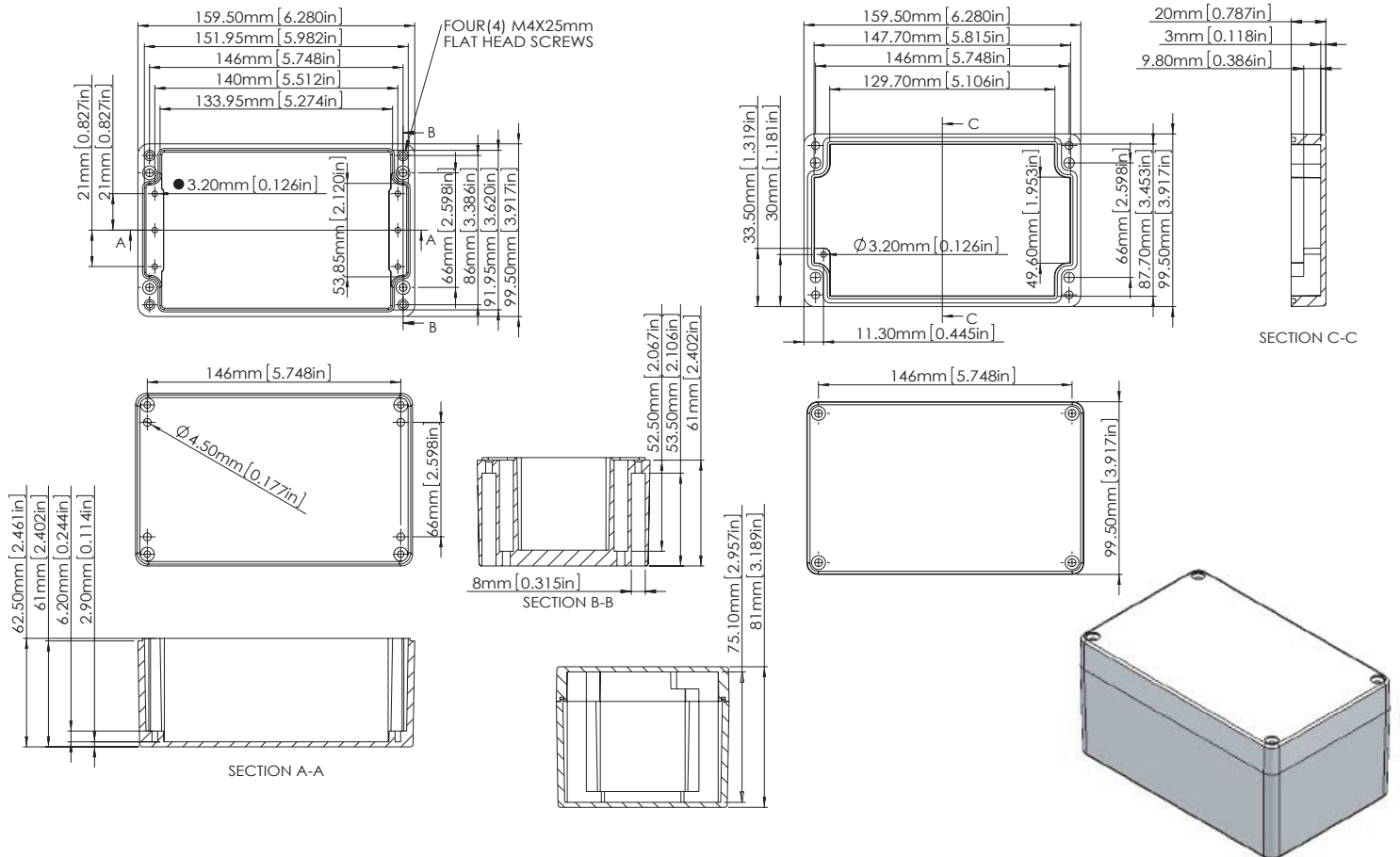
G115



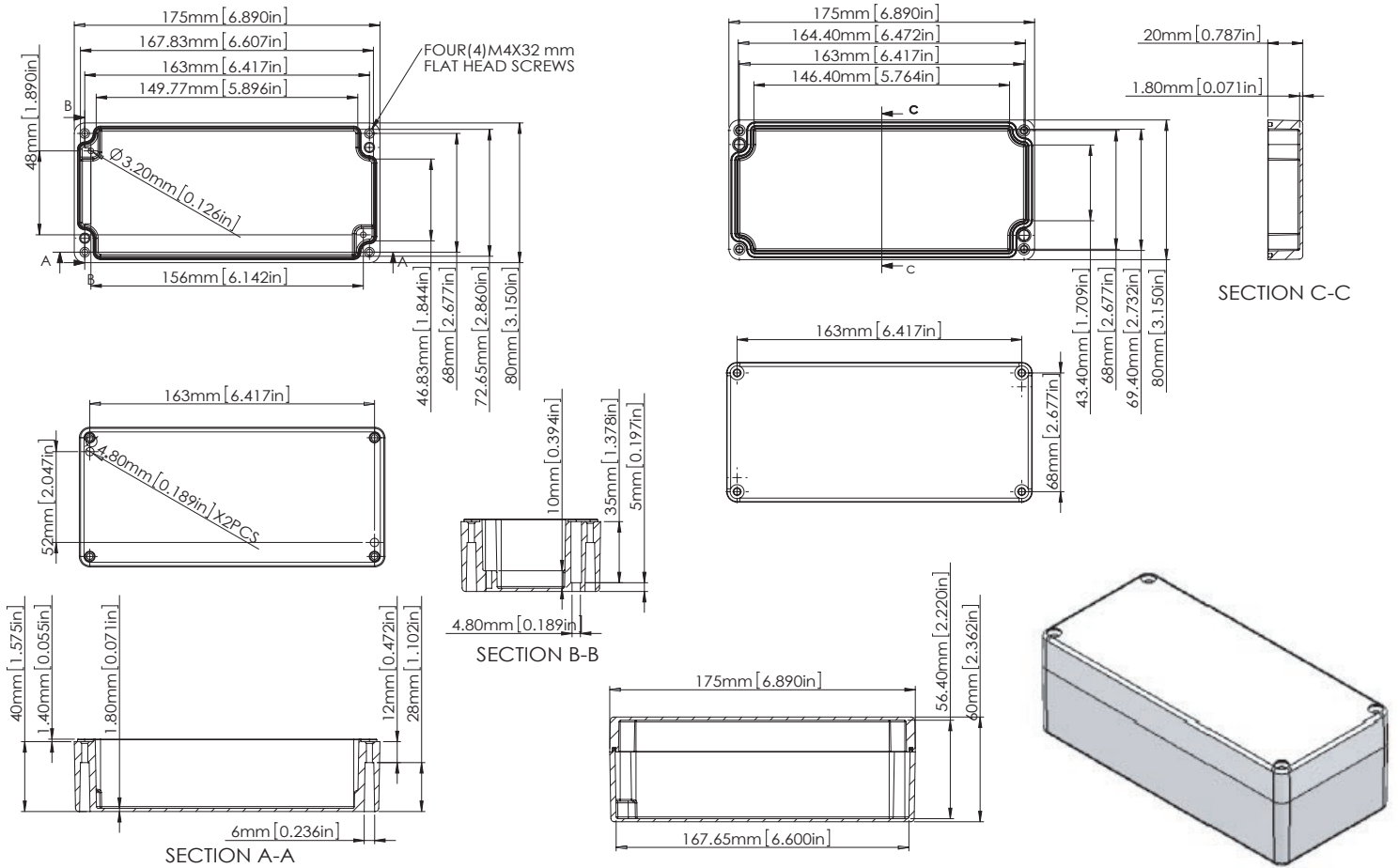
G116



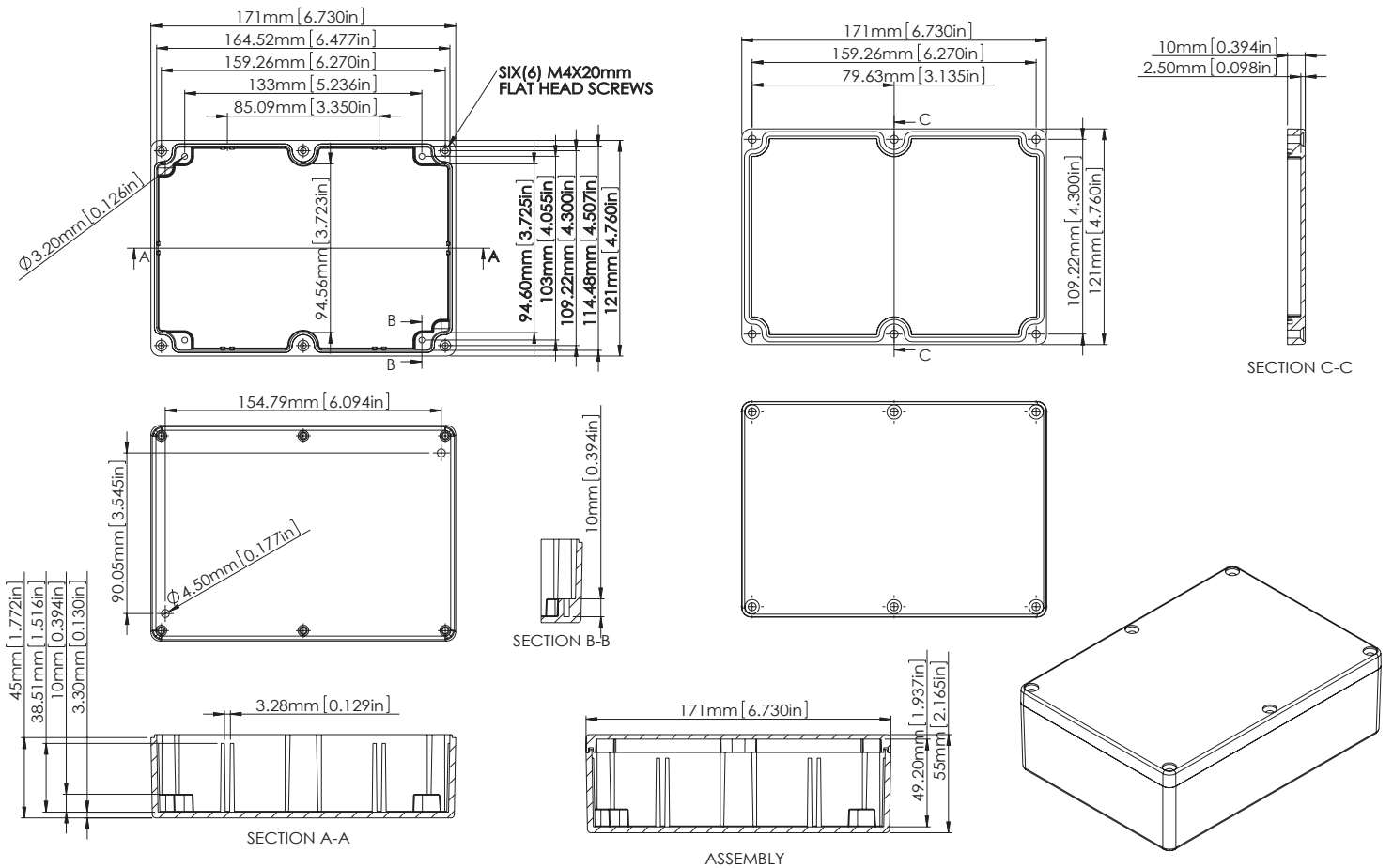
G117



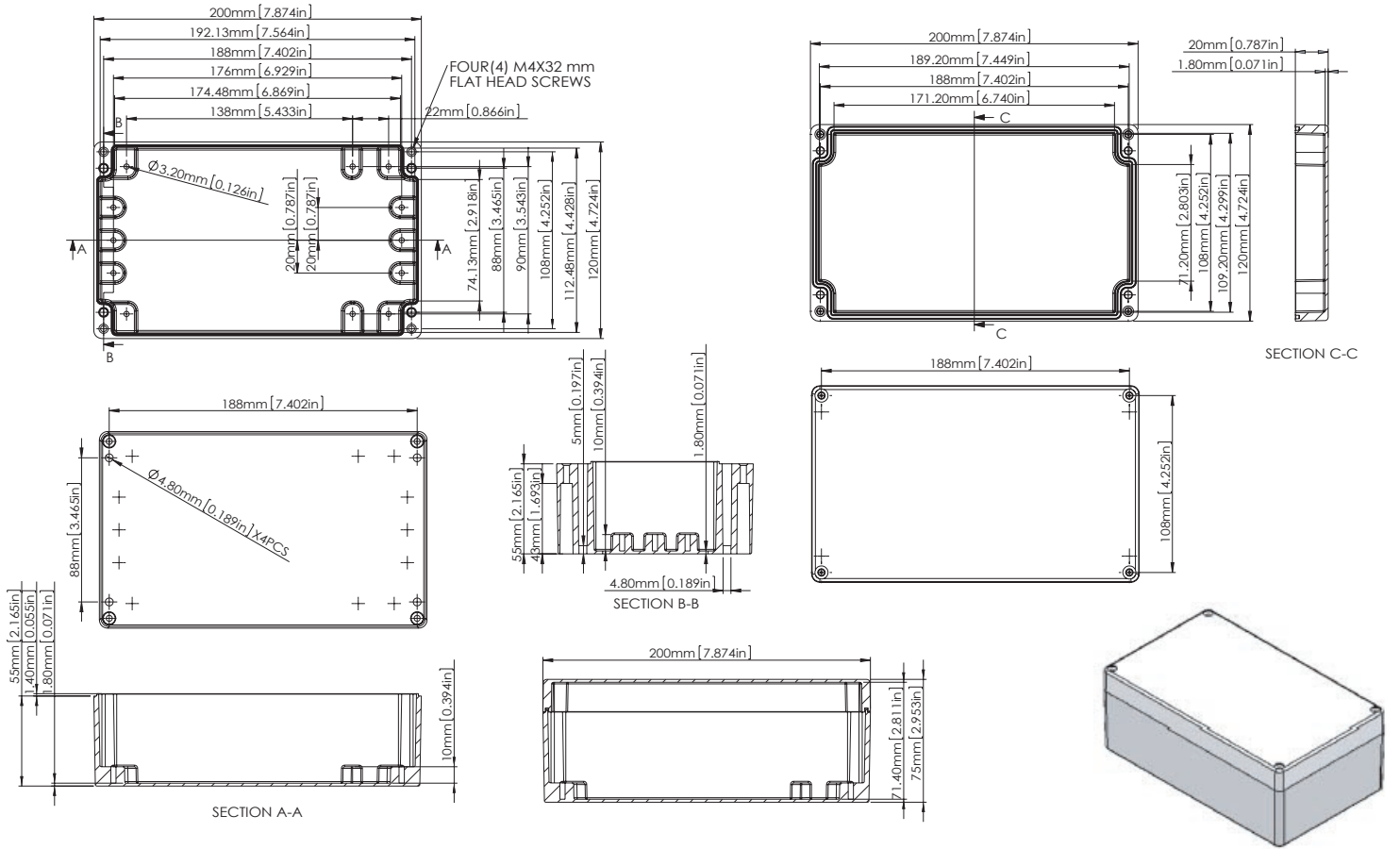
G118



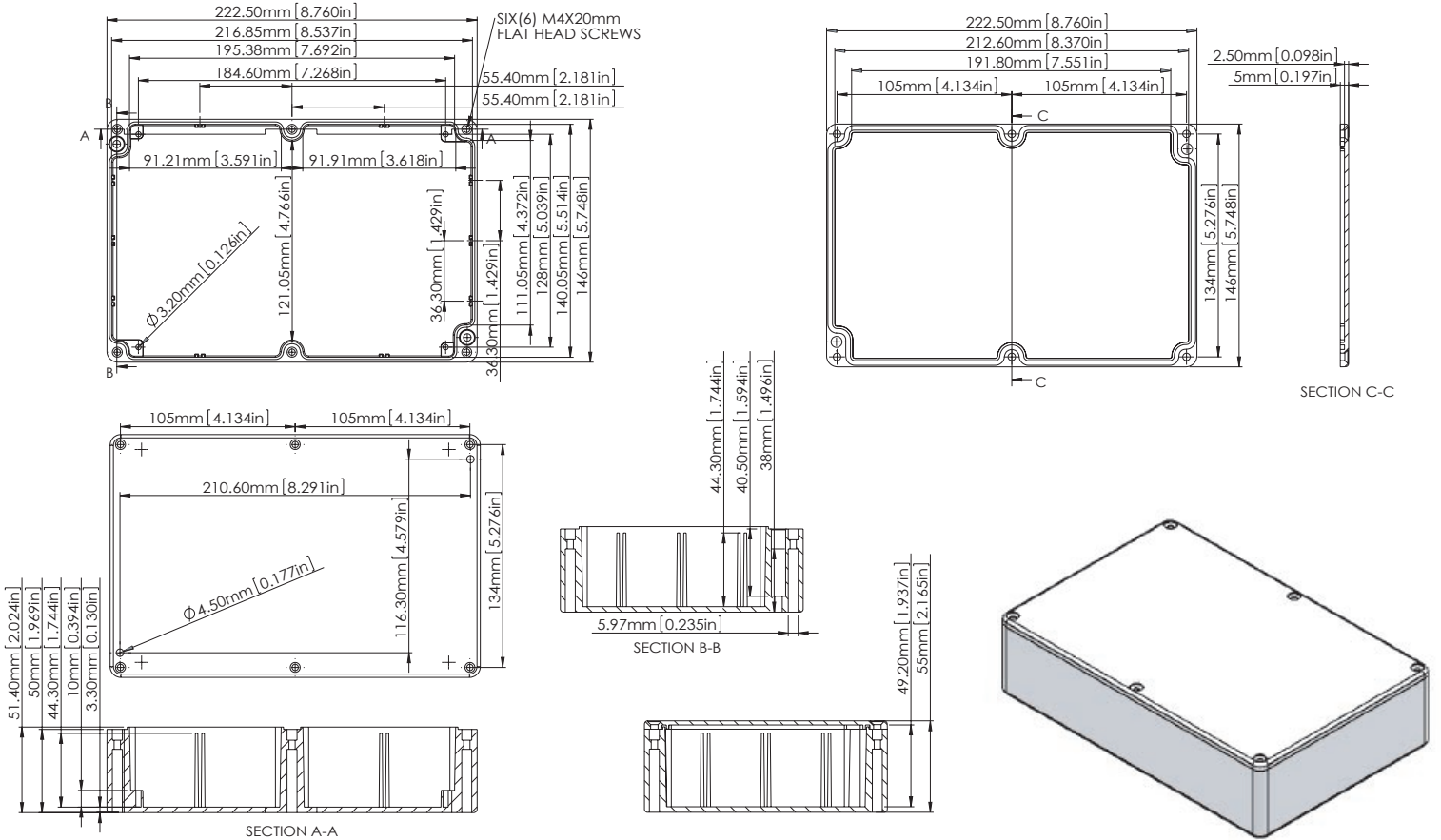
G120



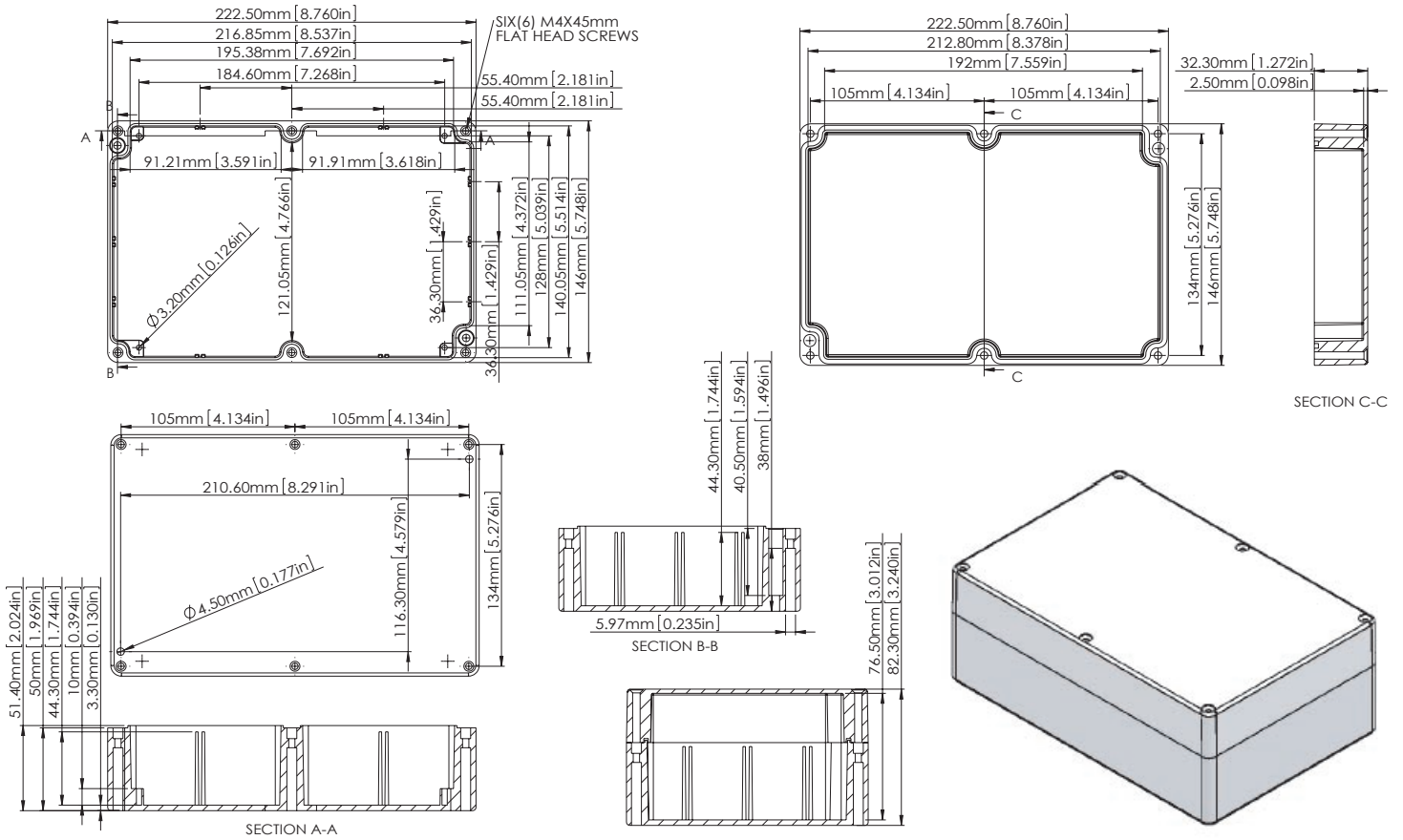
G123



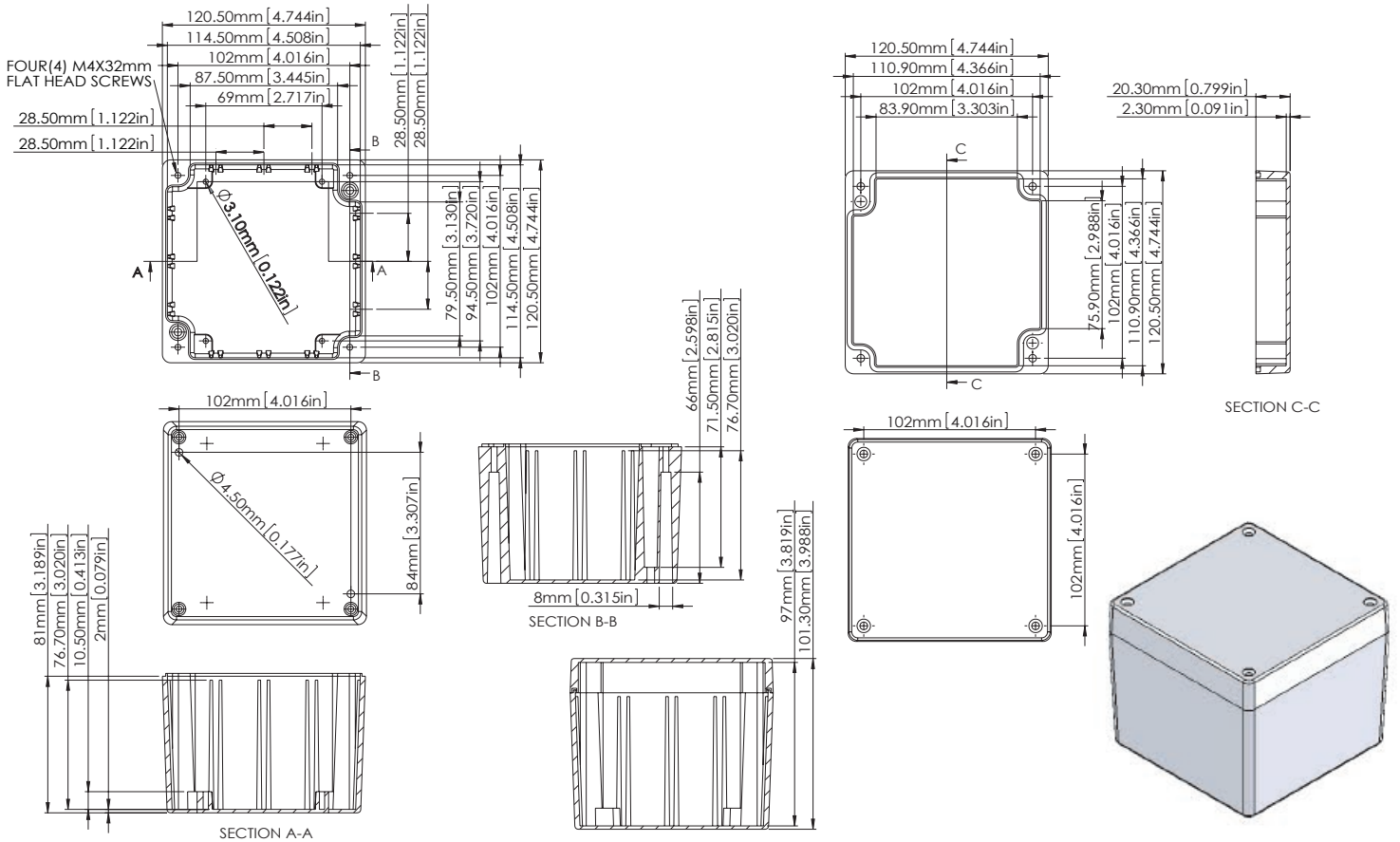
G124



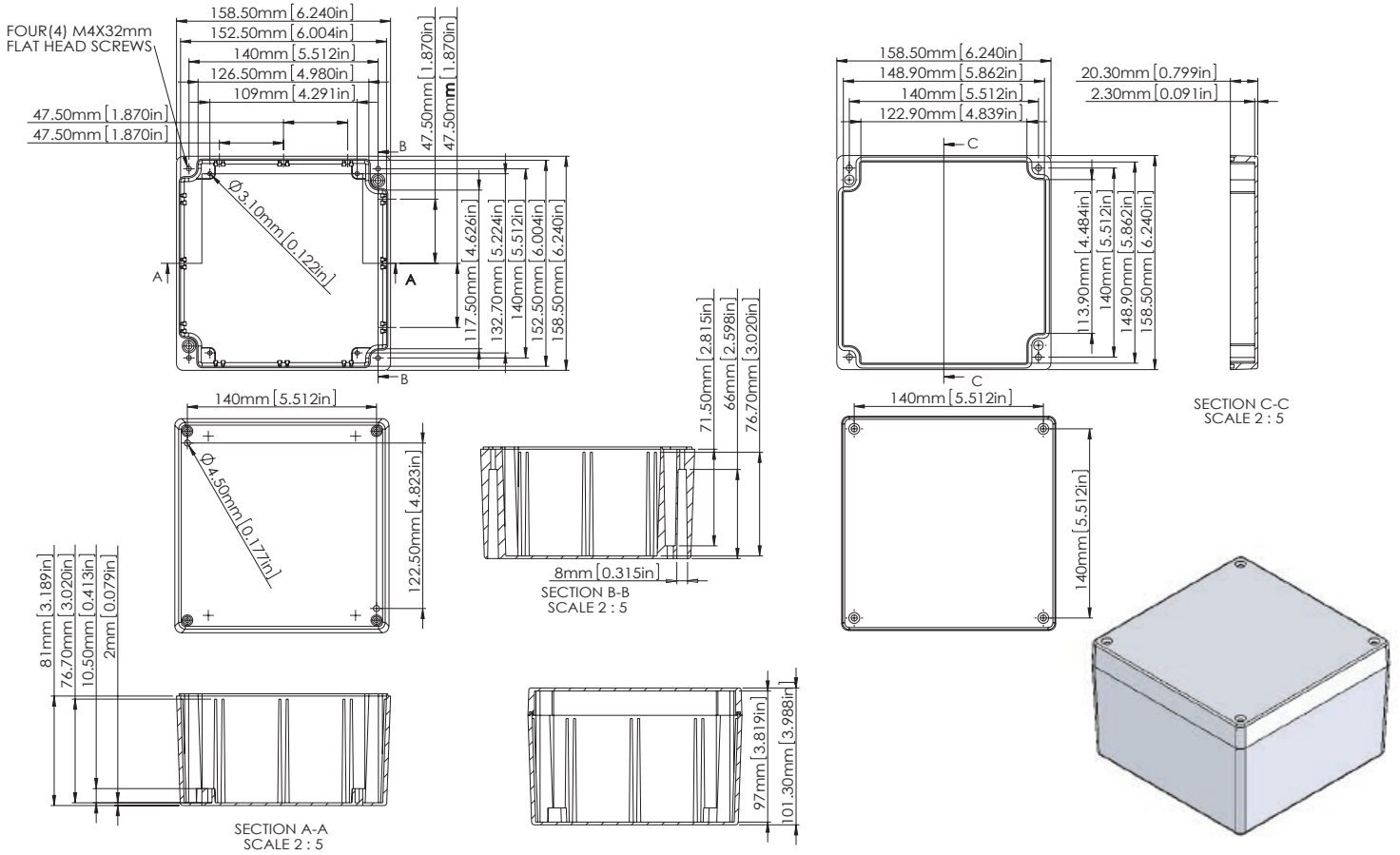
G125



G137



G139



G155

