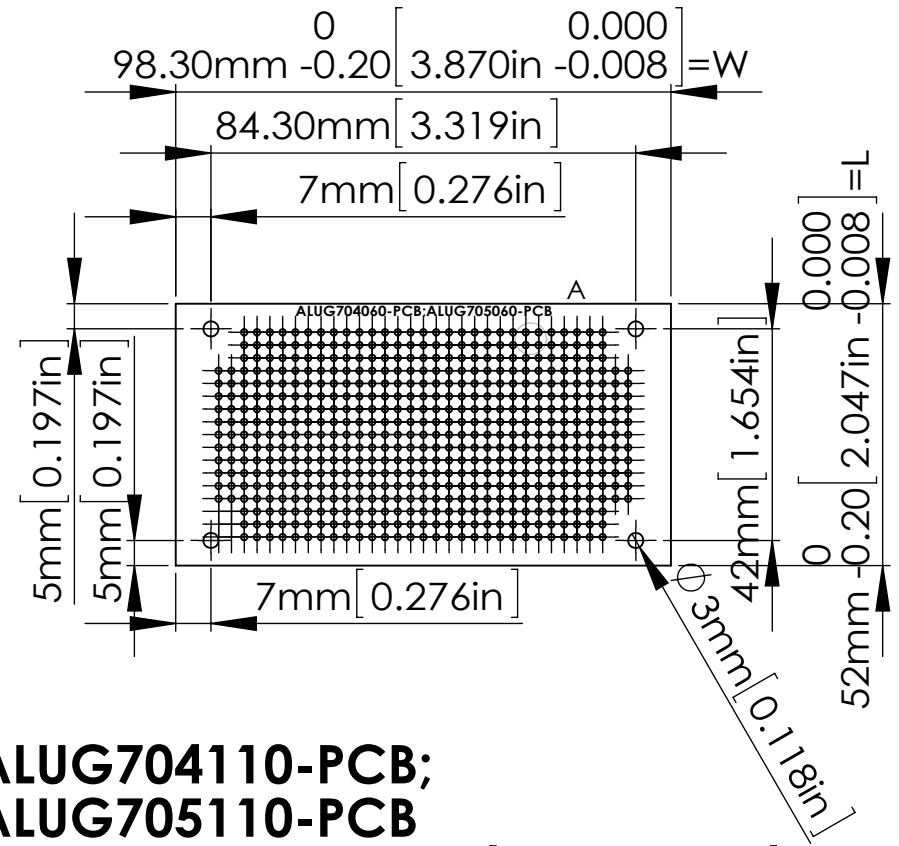
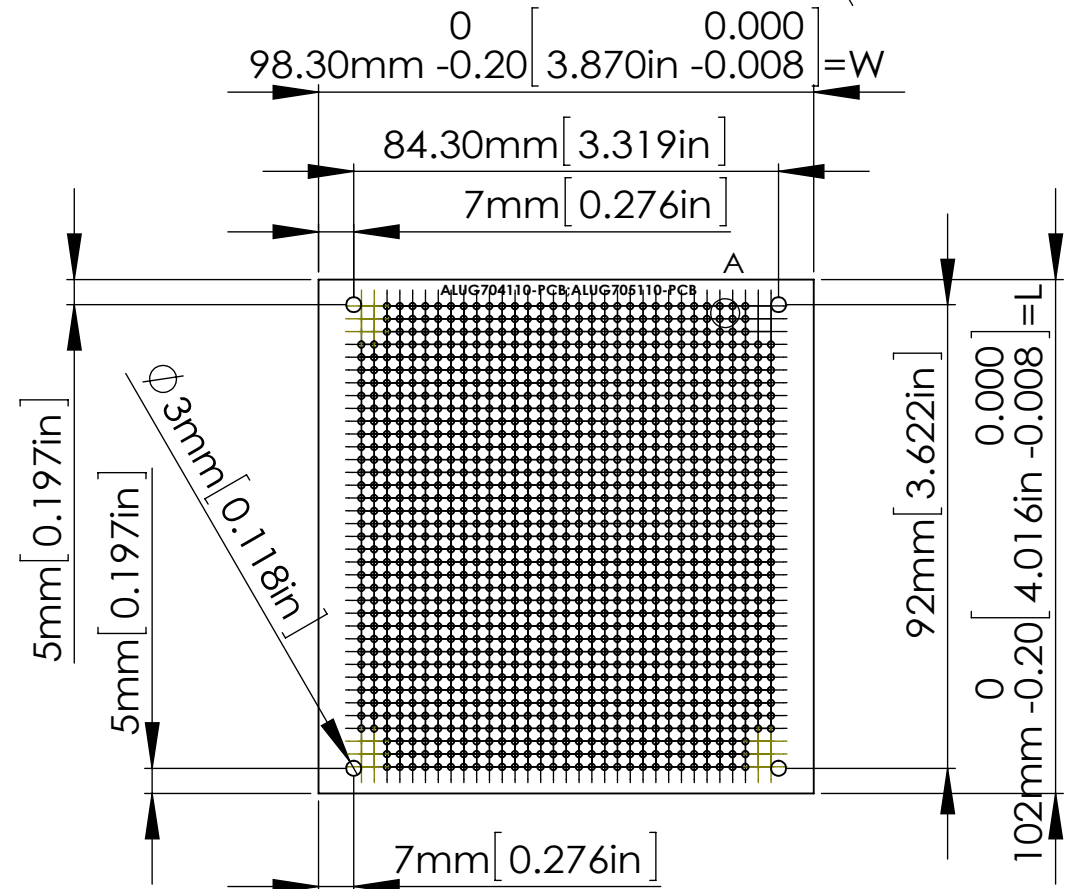


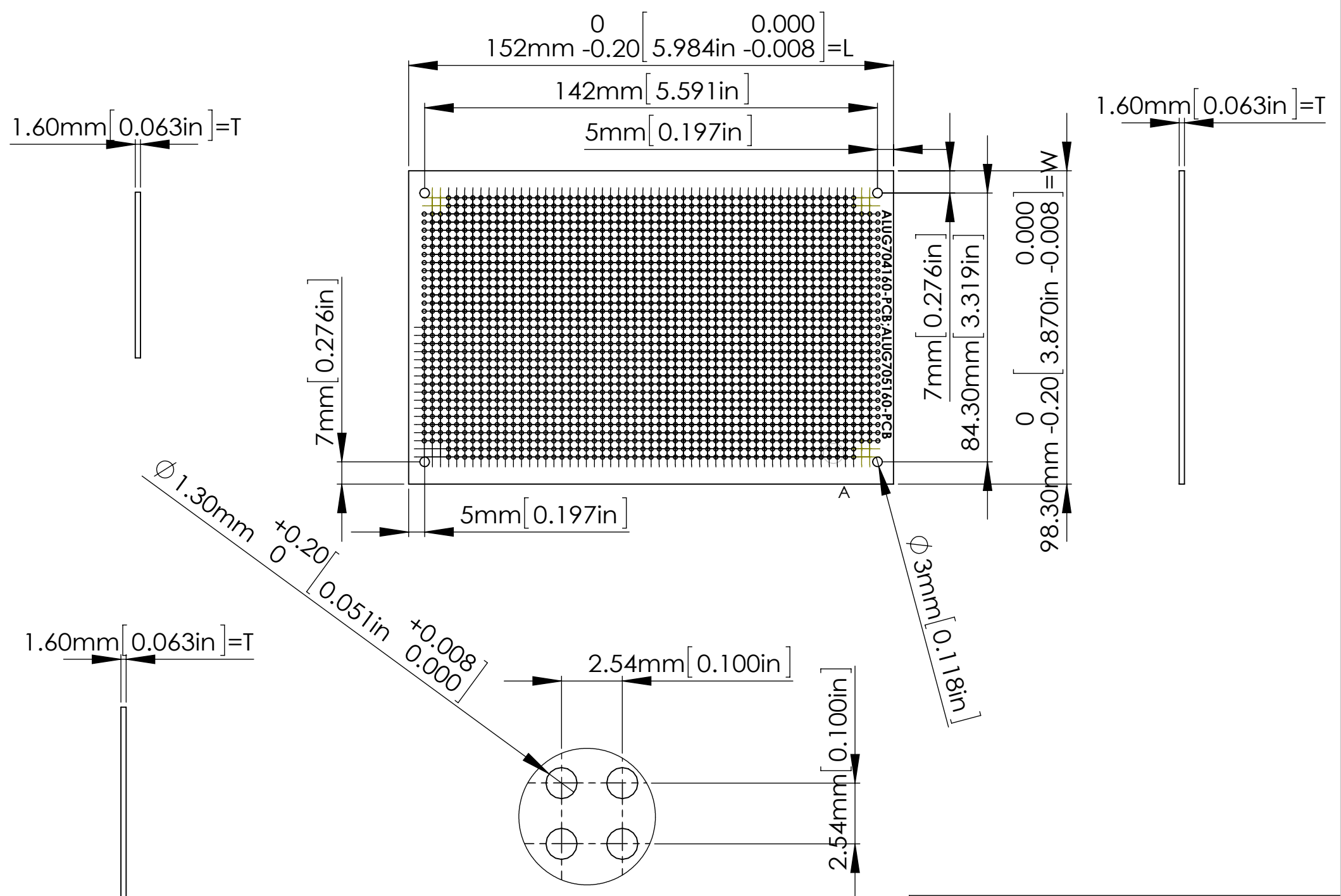
**ALUG704060-PCB;
ALUG705060-PCB**



**ALUG704110-PCB;
ALUG705110-PCB**



**ALUG704160-PCB;
ALUG705160-PCB**



SECTION A
SCALE 5:1

ITEM	L	W	T
ALUG704060-PCB	52.0mm	98.3 mm	1.6 mm
ALUG705060-PCB			
ALUG704110-PCB	102.0 mm	98.3 mm	1.6 mm
ALUG705110-PCB			
ALUG704160-PCB	152.0mm	98.3 mm	1.6 mm
ALUG705160-PCB			

According to ISO 2768-m	
Measuring DIM=L	Tolerances
0.5<L<=3.0mm	±0.1mm
3.0<L<=6.0 mm	±0.1mm
6.0<L<=30.0 mm	±0.2mm
30.0<L<=120.0 mm	±0.3mm
120.0<L<=400.0 mm	±0.5mm
400.0<L<=1000.0 mm	±0.8mm

宣又實業有限公司
GAINTA INDUSTRIES LTD.

繪圖 DRA'D BY
JACKY

日期 DATE
2015/07/30

材質 MATE.
--

圖名TITLE:
ALUG704XXX-PCB;
ALUG705XXX-PCB

圖號DWG NO:

版次REVISED:
A