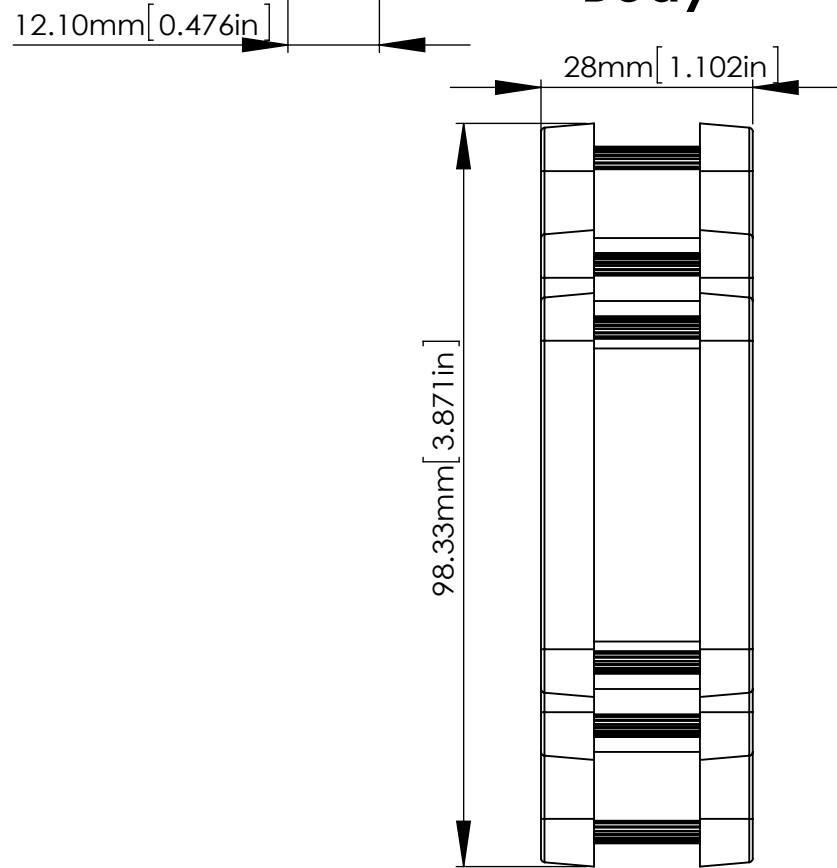
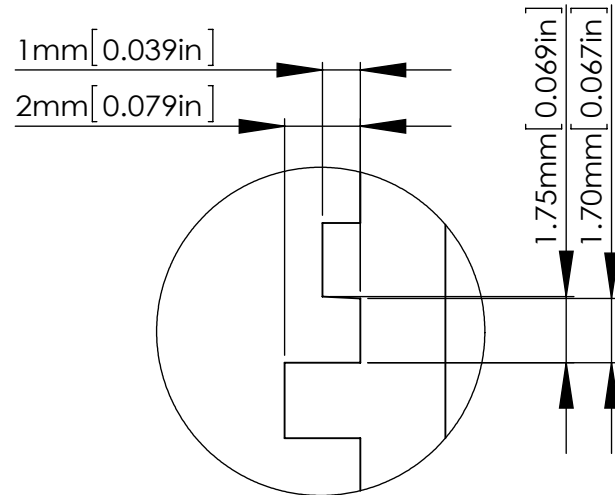


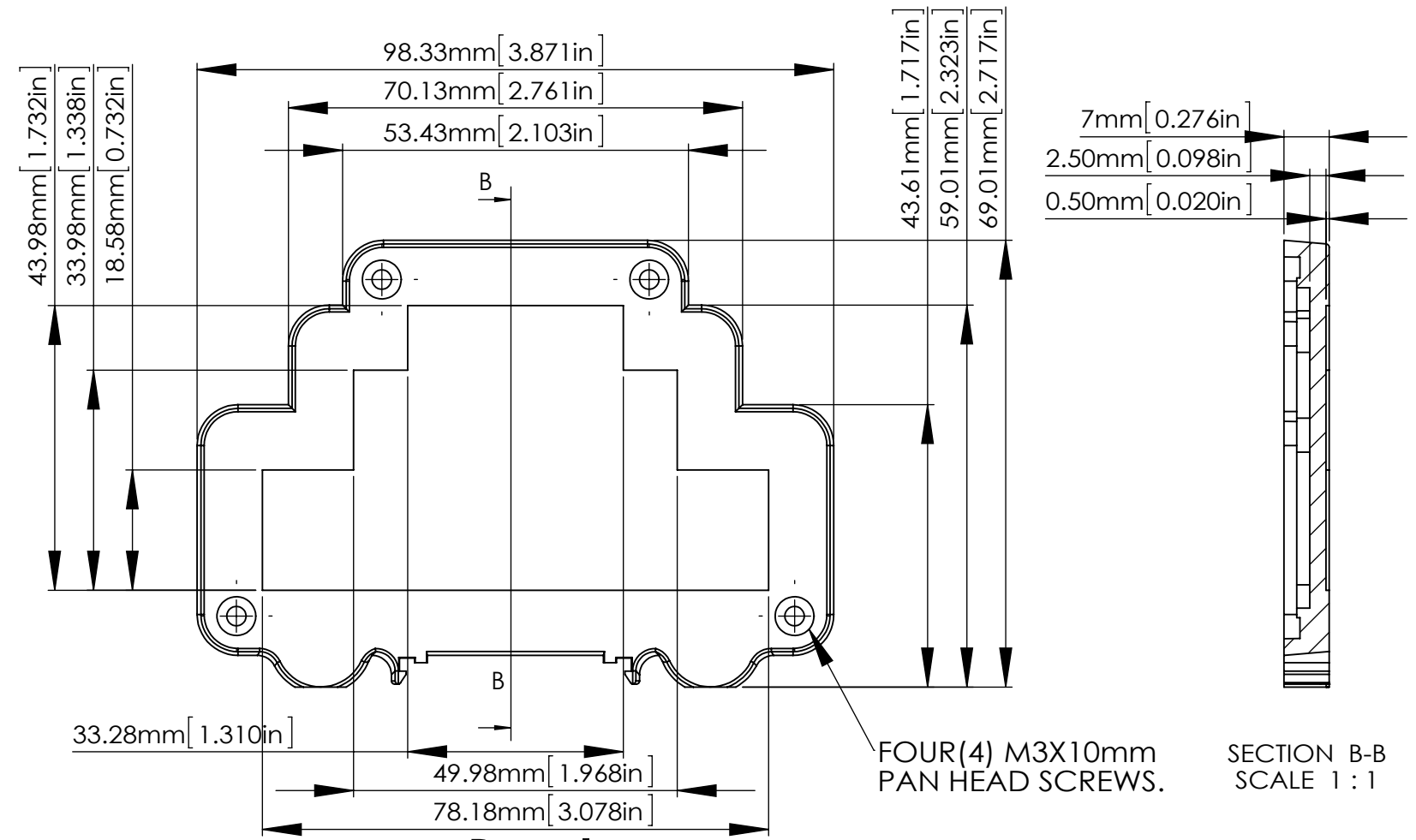
Body



ASSEMBLY

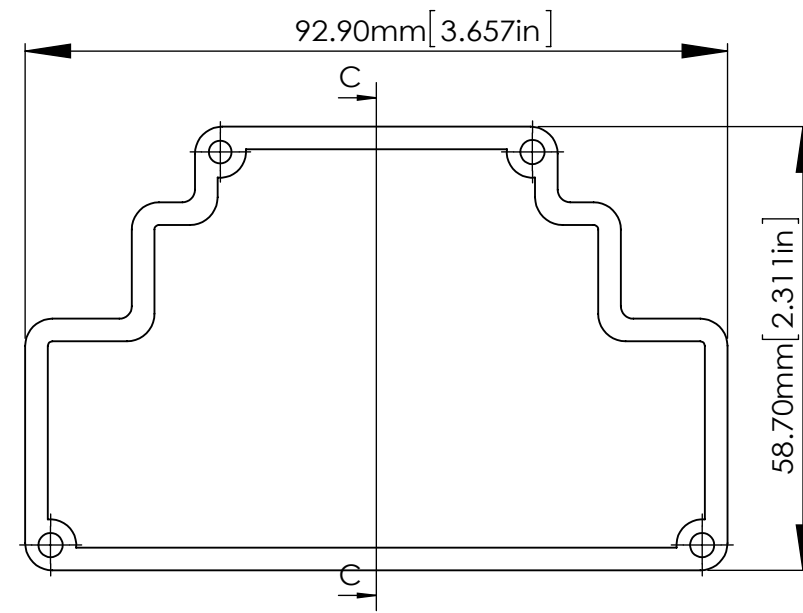


SECTION A
SCALE 5:1

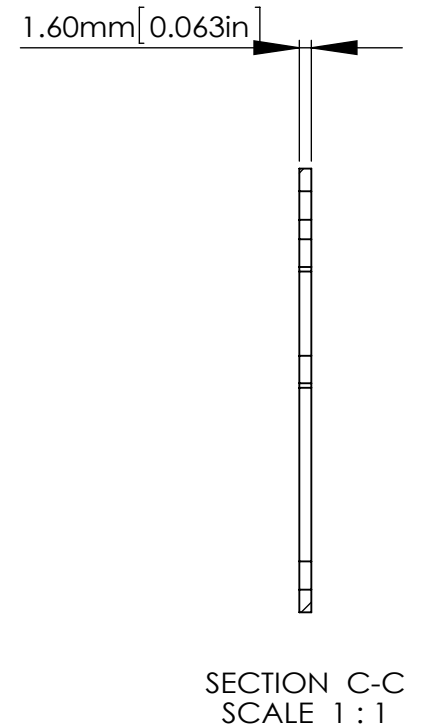


Panel

FOUR (4) M3X10mm
PAN HEAD SCREWS.
SECTION B-B
SCALE 1:1



Seal



SECTION C-C
SCALE 1:1

TOLERANCES: +/- 0.30 mm (+/- 0.012in)

宣又實業有限公司
GAINTA INDUSTRIES LTD.

繪圖 DRA'D BY
JACKY

日期 DATE
2014/08/29

材質 MATE.
PC-V0/ALUMINIUM EXTRUSION

圖名TITLE:
ALUD1MGX-PXX-V0

圖號DWG NO:

版次REVISED:
A

Model	Dimension(mm)			Body			Panel			Without any seal	With EPDM GASKET	Seal		
	D	W	H	Material	Color	Q'ty	Material	Color	Q'ty			Material	Color	Q'ty
ALUD1MG-PLG-V0	28.0	98.33	69.01	Aluminium extrusion	Painted Grey	1	PC-V0,943A	Painted Grey	2	◎				
ALUD1MGS-PLG-V0	28.0	98.33	69.01	Aluminium extrusion	Painted Grey	1	PC-V0,943A	Painted Grey	2		◎	EPDM	Black	2
ALUD1MG-PBK-V0	28.0	98.33	69.01	Aluminium extrusion	Painted Black	1	PC-V0,943A	Painted Black	2	◎				
ALUD1MGS-PBK-V0	28.0	98.33	69.01	Aluminium extrusion	Painted Black	1	PC-V0,943A	Painted Black	2		◎	EPDM	Black	2

宣又實業有限公司 GAINTA INDUSTRIES LTD.	繪圖	DRA'D BY	日期	DATE	材質	MATE.	圖名TITLE:	圖號DWG NO:	版次REVISED:
		JACKY		2014/08/30		PC-V0/ALUMINIUM EXTRUSION	ALUD1MGX-PXX-V0		A