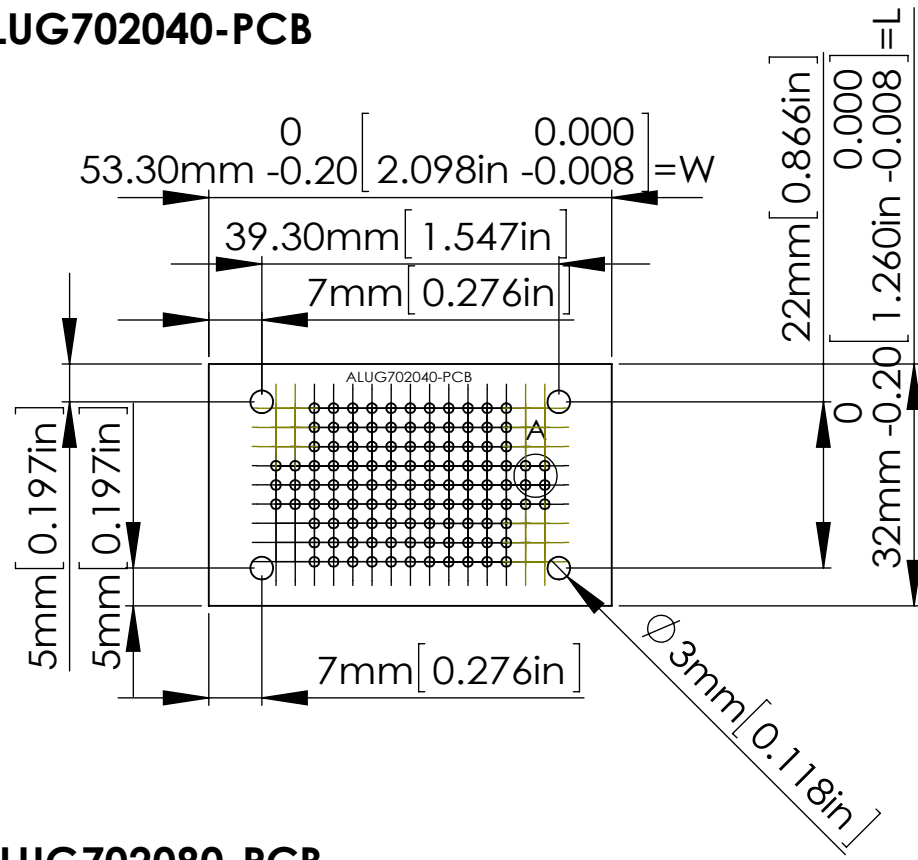
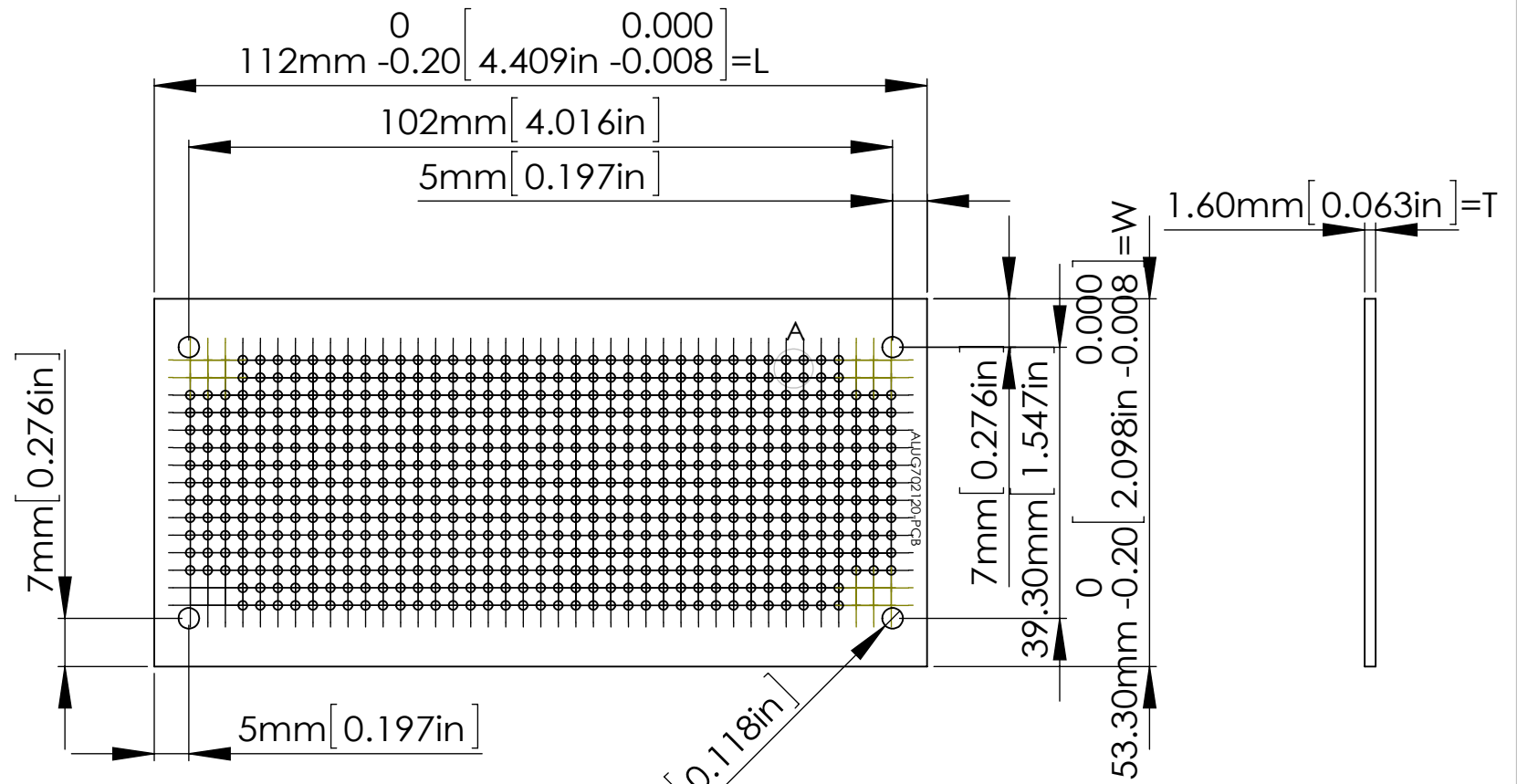


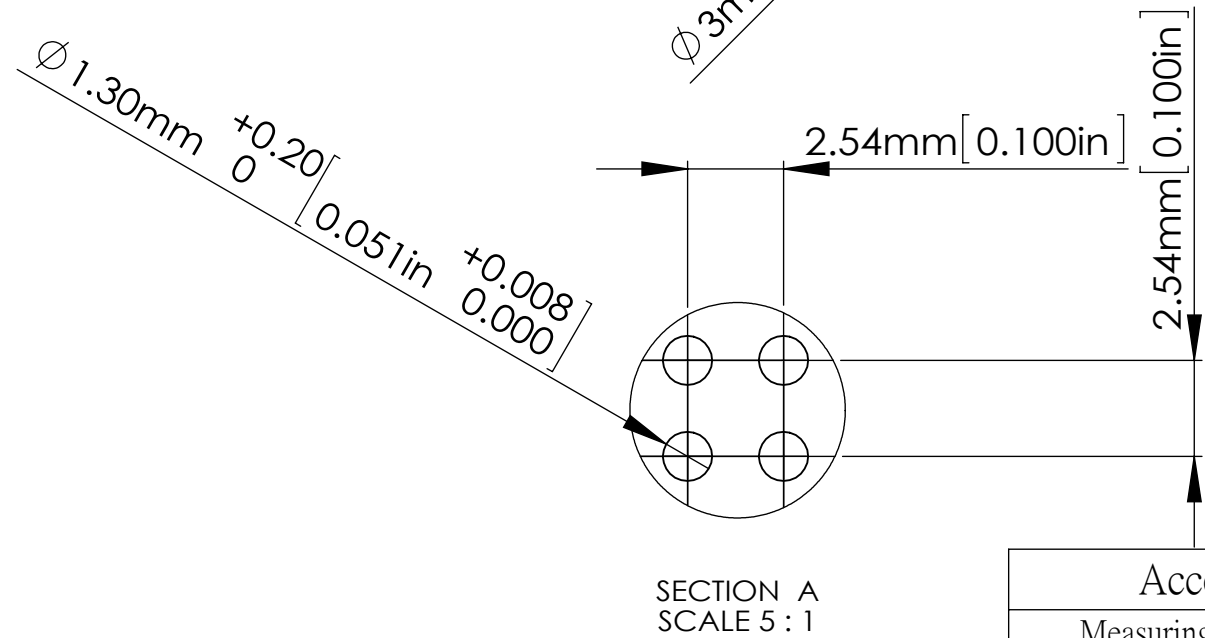
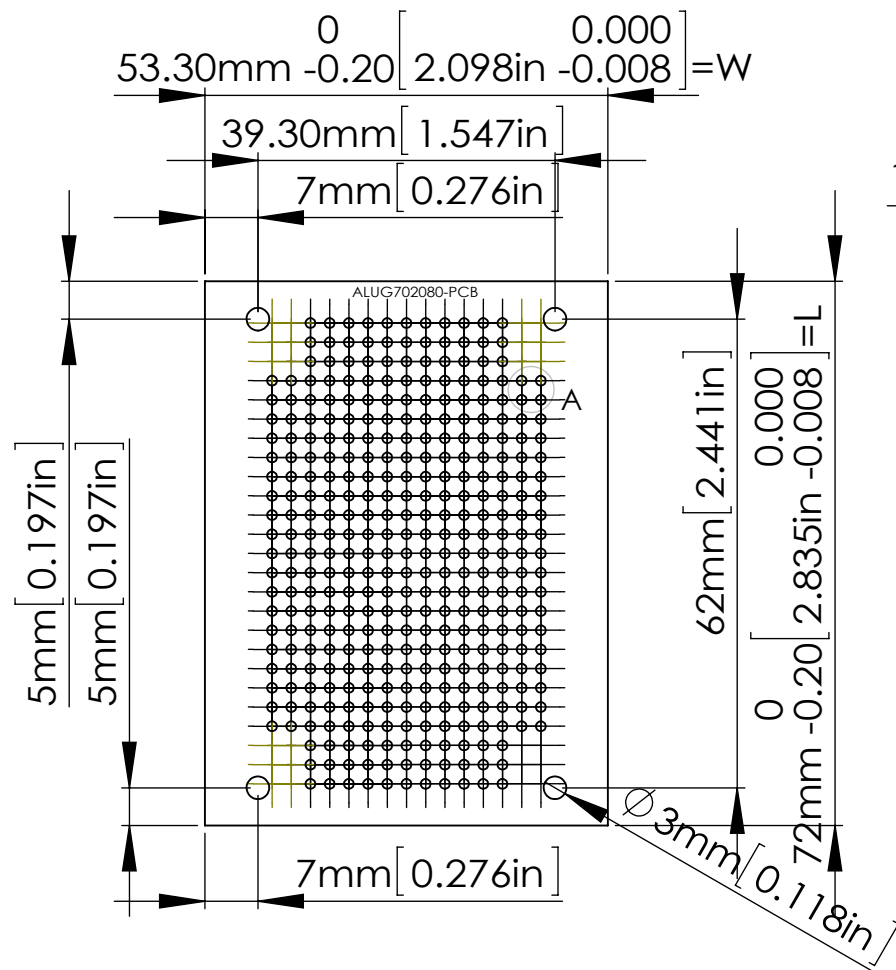
ALUG702040-PCB



ALUG702120-PCB



ALUG702080-PCB



ITEM	L	W	T
ALUG702040-PCB	32.0 mm	53.3mm	1.60mm
ALUG702080-PCB	72.0 mm	53.3mm	1.60mm
ALUG702120-PCB	112.0 mm	53.3mm	1.60mm

According to ISO 2768-m	
Measuring DIM=L	Tolerances
0.5<L<=3.0mm	±0.1mm
3.0<L<=6.0 mm	±0.1mm
6.0<L<=30.0 mm	±0.2mm
30.0<L<=120.0 mm	±0.3mm
120.0<L<=400.0 mm	±0.5mm
400.0<L<=1000.0 mm	±0.8mm

宣又實業有限公司
GAINTA INDUSTRIES LTD.

繪圖 DRA'D BY
JACKY

日期 DATE
2015/07/30

材質 MATE.
--

圖名TITLE:
ALUG702XXX-PCB

圖號DWG NO:

版次REVISED:
A