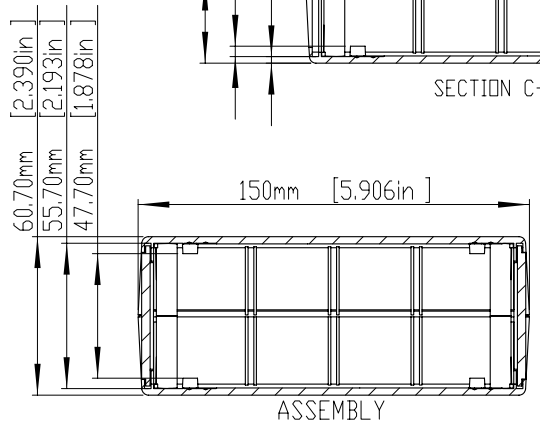
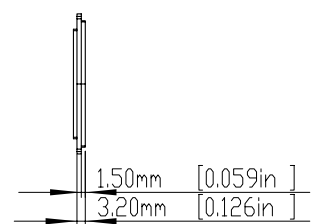
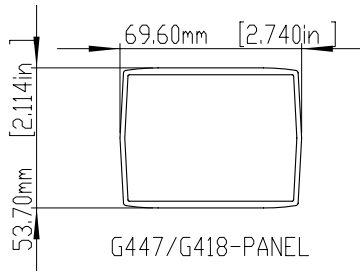
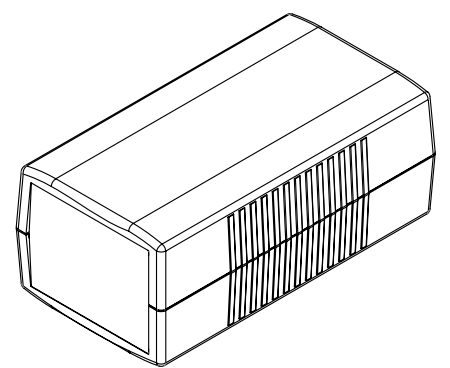
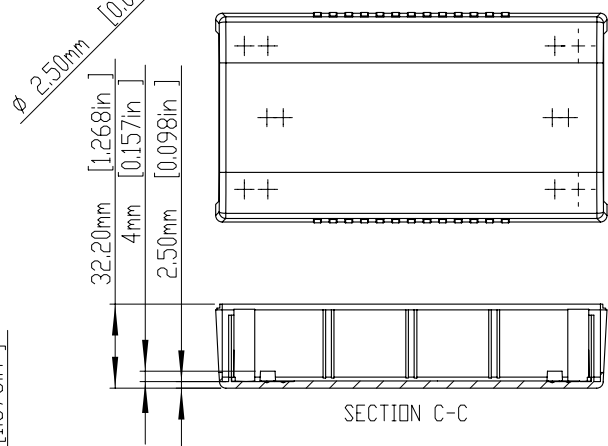
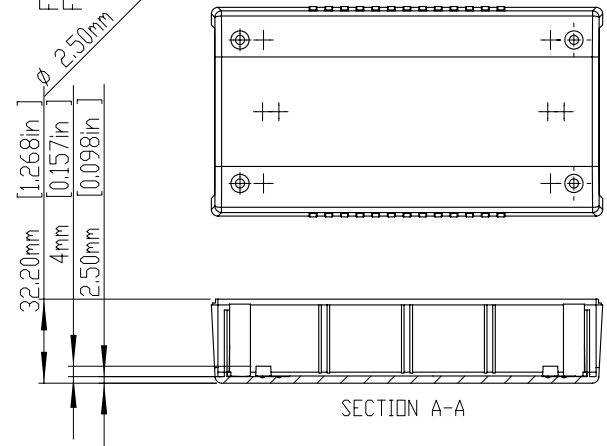


FOUR(4) M3X35mm
 FLAT HEAD SCREWS



According to ISO 2768-m	
Measuring DIM=L	Tolerances
0.5<L≤3.0mm	±0.1mm
3.0<L≤6.0 mm	±0.1mm
6.0<L≤30.0 mm	±0.2mm
30.0<L≤120.0 mm	±0.3mm
120.0<L≤400.0 mm	±0.5mm
400.0<L≤1000.0 mm	±0.8mm

宣又實業有限公司
 GAINTA INDUSTRIES LTD.

繪圖 DRA'D BY
 JACKY

日期 DATE
 2011/01/01

材質 MATE.
 ABS

圖名TITLE:
 G447 G418

圖號DWG NO:

版次REVISID:
 B

STOCK NO.	MATERIAL	BASE/COVER-COLOR	PANEL-COLOR
G447	ABS	LIGHT GRAY(RAL7035)	DARK GRAY(RAL7000)
G418	ABS UL94-V0	DARK GRAY(RAL7000)	LIGHT GRAY(RAL7035)

宣又實業有限公司
GAINTA INDUSTRIES LTD.

繪圖 DRA'D BY
JACKY

日期 DATE
2011/01/01

材質 MATE.
ABS

圖名TITLE:
G447 G418

圖號DWG NO:

版次REVISID:

B