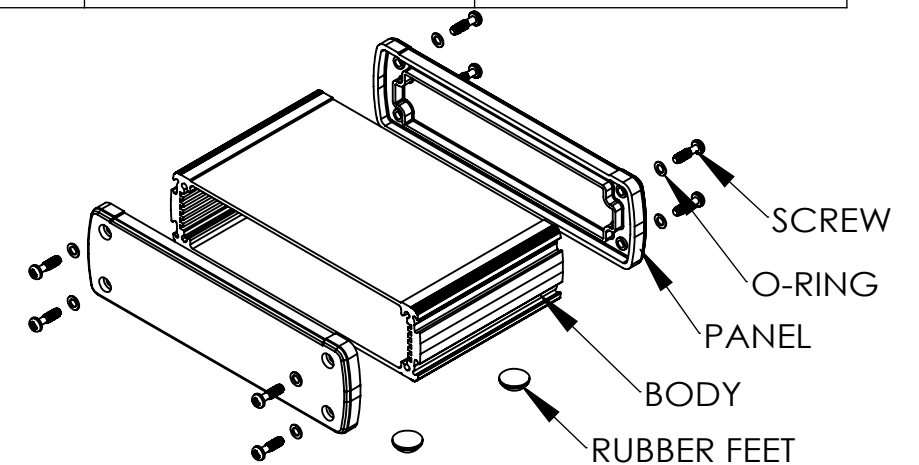
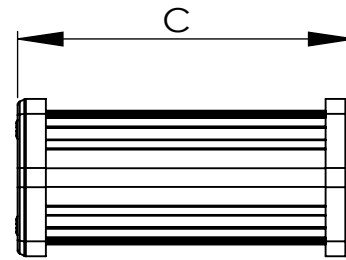
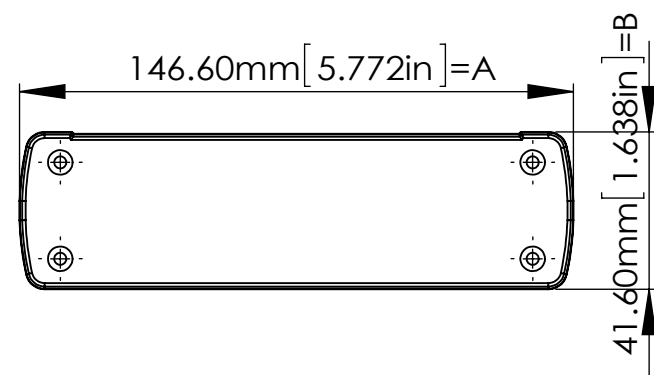


ITEM NO	BODY	PANEL	O-RING	RUBBER FEET	SCREW	EXTERNAL DIMENSION(mm) AXBXC
ALUG706GD080	ALUMINIUM EXTRUSION 6063/ GOLDEN ANODIZED(PANTONE 4675C)	DIE-CAST ALUMINIUM ADC-12 /PAINTED BLACK(RAL9005)	Ø6X0.5 mm MATERIAL:PC COLOR:CLEAR	Ø12X5 mm MATERIAL:RUBBER (GAINTA ITEM NO:RF-1004) COLOR:BLACK	M3.5X12 mm MATERIAL:STAINLESS SUS 304 COLOR:UNFINISHED	146.6X41.6X89 mm
ALUG706SR080	ALUMINIUM EXTRUSION 6063/ SILVER ANODIZED(PANTONE 877C)					
ALUG706RD080	ALUMINIUM EXTRUSION 6063/ RED ANODIZED(PANTONE 187C)					
ALUG706BU080	ALUMINIUM EXTRUSION 6063/ BLUE ANODIZED(PANTONE 306C)					
ALUG706BK080	ALUMINIUM EXTRUSION 6063/ BLACK ANODIZED(PANTONE BLACK U)					
ALUG706GD120	ALUMINIUM EXTRUSION 6063/ GOLDEN ANODIZED(PANTONE 4675C)	DIE-CAST ALUMINIUM ADC-12 /PAINTED BLACK(RAL9005)	Ø6X0.5 mm MATERIAL:PC COLOR:CLEAR	Ø12X5 mm MATERIAL:RUBBER (GAINTA ITEM NO:RF-1004) COLOR:BLACK	M3.5X12 mm MATERIAL:STAINLESS SUS 304 COLOR:UNFINISHED	146.6X41.6X129 mm
ALUG706SR120	ALUMINIUM EXTRUSION 6063/ SILVER ANODIZED(PANTONE 877C)					
ALUG706RD120	ALUMINIUM EXTRUSION 6063/ RED ANODIZED(PANTONE 187C)					
ALUG706BU120	ALUMINIUM EXTRUSION 6063/ BLUE ANODIZED(PANTONE 306C)					
ALUG706BK120	ALUMINIUM EXTRUSION 6063/ BLACK ANODIZED(PANTONE BLACK U)					
ALUG706GD160	ALUMINIUM EXTRUSION 6063/ GOLDEN ANODIZED(PANTONE 4675C)	DIE-CAST ALUMINIUM ADC-12 /PAINTED BLACK(RAL9005)	Ø6X0.5 mm MATERIAL:PC COLOR:CLEAR	Ø12X5 mm MATERIAL:RUBBER (GAINTA ITEM NO:RF-1004) COLOR:BLACK	M3.5X12 mm MATERIAL:STAINLESS SUS 304 COLOR:UNFINISHED	146.6X41.6X169 mm
ALUG706SR160	ALUMINIUM EXTRUSION 6063/ SILVER ANODIZED(PANTONE 877C)					
ALUG706RD160	ALUMINIUM EXTRUSION 6063/ RED ANODIZED(PANTONE 187C)					
ALUG706BU160	ALUMINIUM EXTRUSION 6063/ BLUE ANODIZED(PANTONE 306C)					
ALUG706BK160	ALUMINIUM EXTRUSION 6063/ BLACK ANODIZED(PANTONE BLACK U)					
ALUG706GD200	ALUMINIUM EXTRUSION 6063/ GOLDEN ANODIZED(PANTONE 4675C)	DIE-CAST ALUMINIUM ADC-12 /PAINTED BLACK(RAL9005)	Ø6X0.5 mm MATERIAL:PC COLOR:CLEAR	Ø12X5 mm MATERIAL:RUBBER (GAINTA ITEM NO:RF-1004) COLOR:BLACK	M3.5X12 mm MATERIAL:STAINLESS SUS 304 COLOR:UNFINISHED	146.6X41.6X209 mm
ALUG706SR200	ALUMINIUM EXTRUSION 6063/ SILVER ANODIZED(PANTONE 877C)					
ALUG706RD200	ALUMINIUM EXTRUSION 6063/ RED ANODIZED(PANTONE 187C)					
ALUG706BU200	ALUMINIUM EXTRUSION 6063/ BLUE ANODIZED(PANTONE 306C)					
ALUG706BK200	ALUMINIUM EXTRUSION 6063/ BLACK ANODIZED(PANTONE BLACK U)					



宣又實業有限公司  
GAINTA INDUSTRIES LTD.

繪圖 DRA'D BY  
JACKY

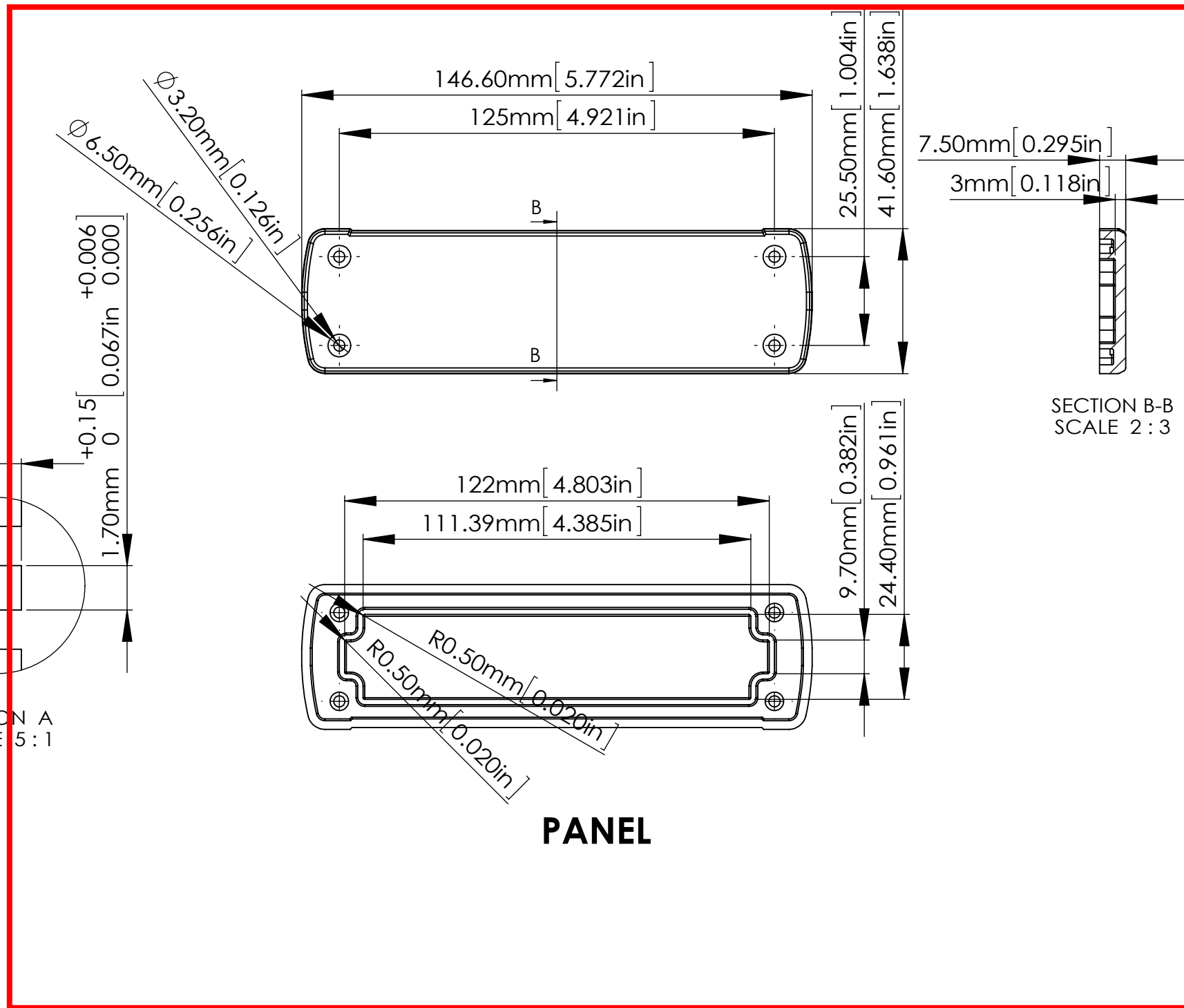
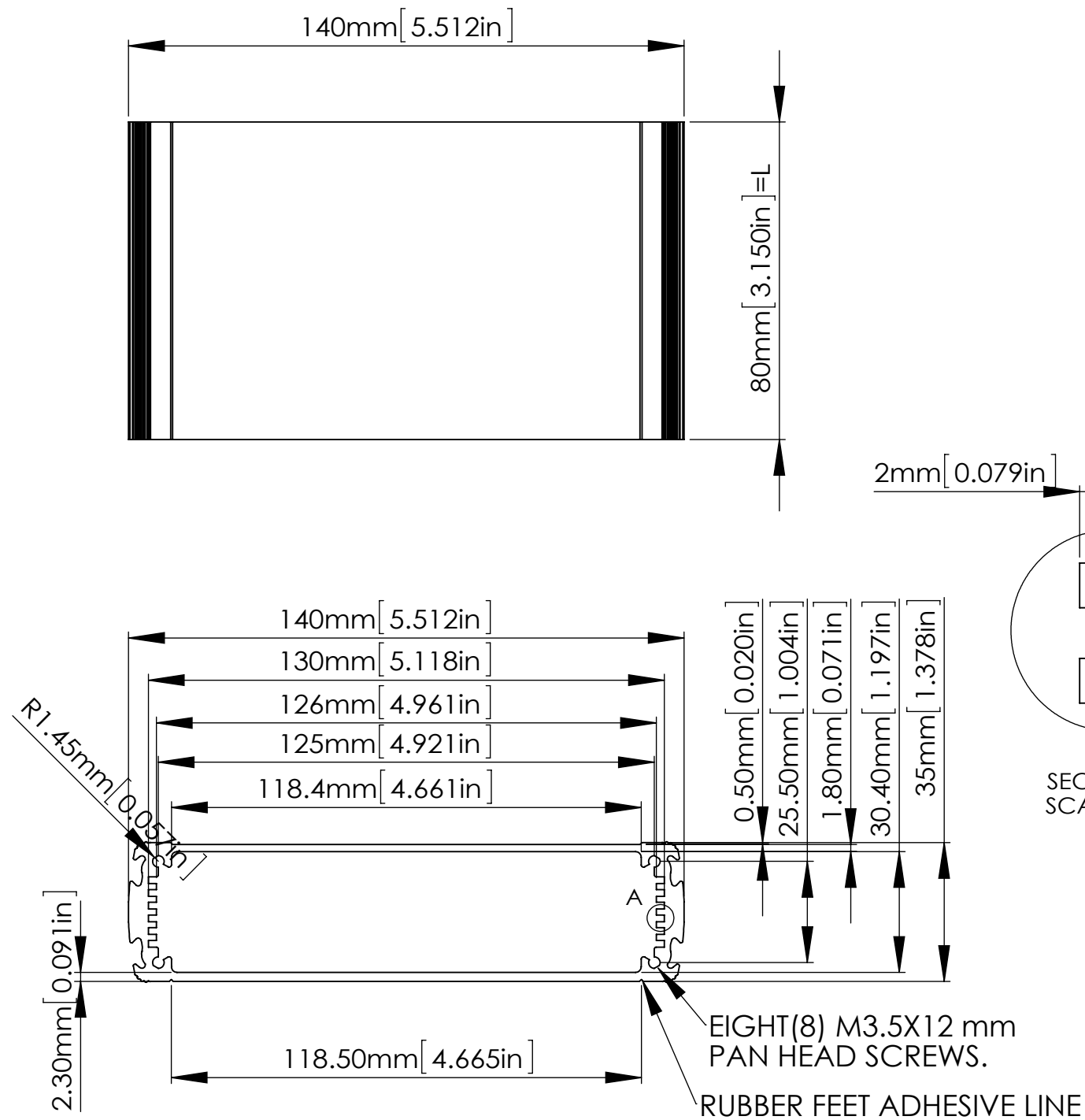
日期 DATE  
2015/09/01

材質 MATE.  
--

圖名TITLE:  
ALUG706XXXXX

圖號DWG NO:

版次REVISED:  
A



SECTION B-B  
SCALE 2 : 3

SECTION A  
SCALE 5 : 1

**PANEL**

EIGHT(8) M3.5X12 mm  
PAN HEAD SCREWS.

RUBBER FEET ADHESIVE LINE

ITEM NO.	L(mm)
ALUG706XX080	80 mm
ALUG706XX120	120 mm
ALUG706XX160	160 mm
ALUG706XX200	200 mm

**BODY**

According to ISO 2768-m	
Measuring DIM=L	Tolerances
0.5<L<=3.0mm	±0.1mm
3.0<L<=6.0 mm	±0.1mm
6.0<L<=30.0 mm	±0.2mm
30.0<L<=120.0 mm	±0.3mm
120.0<L<=400.0 mm	±0.5mm
400.0<L<=1000.0 mm	±0.8mm

宣又實業有限公司  
GAINTA INDUSTRIES LTD.

繪圖 DRA'D BY  
JACKY

日期 DATE  
2015/06/08

材質 MATE.  
--

圖名TITLE:  
ALUG706XXXXX

圖號DWG NO:

版次REVISED:

A