

IP66 DIE-CAST ALUMINIUM ENCLOSURES



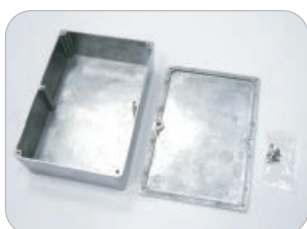
PRODUCT INFORMATION

- Material: aluminium alloy ADC-12 to Japan (JIS)
- Finish: natural aluminium color.
- Tapped holes on the body to seize the cover easily.
- M3.5 countersunk stainless screws are included to seize the cover and the body.

LIGHT GREY(LG), BLACK(BK) OF POWDER COATED ALUMINIUM ENCLOSURES ARE AVAILABLE FOR ORDERING .

JUST NEED TO ADD THE COLOR CODE AFTER THE ITEM NO. Ex: B011LG, B013BK, BS11LG, BS13BK

Example



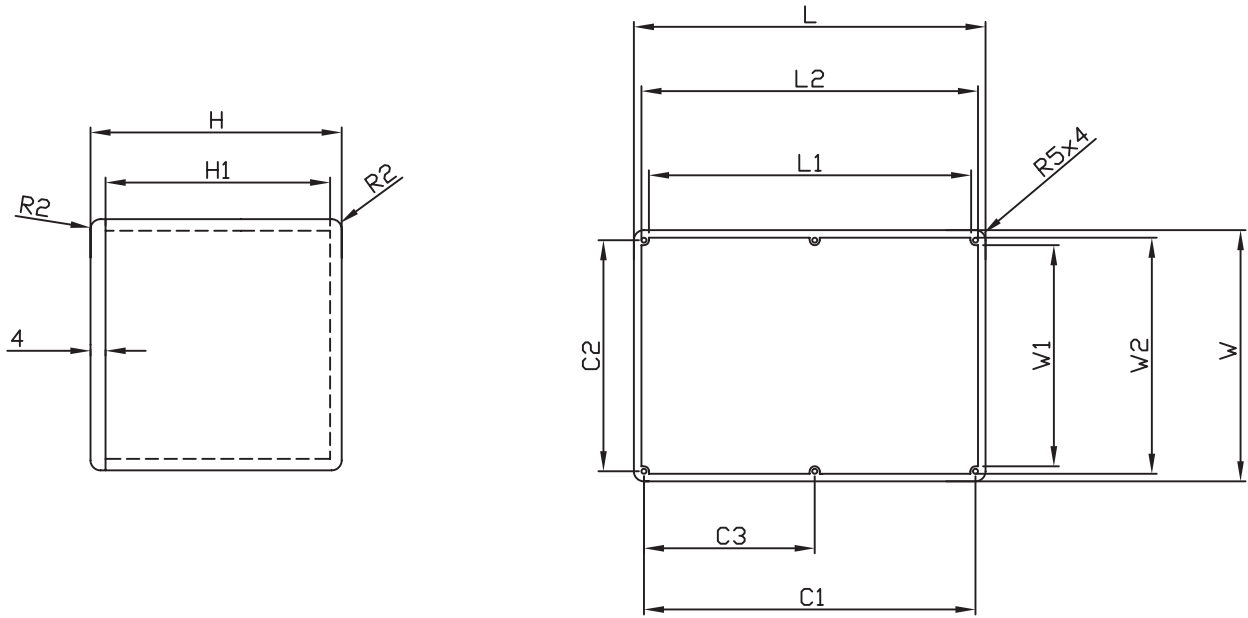
B027



BS37

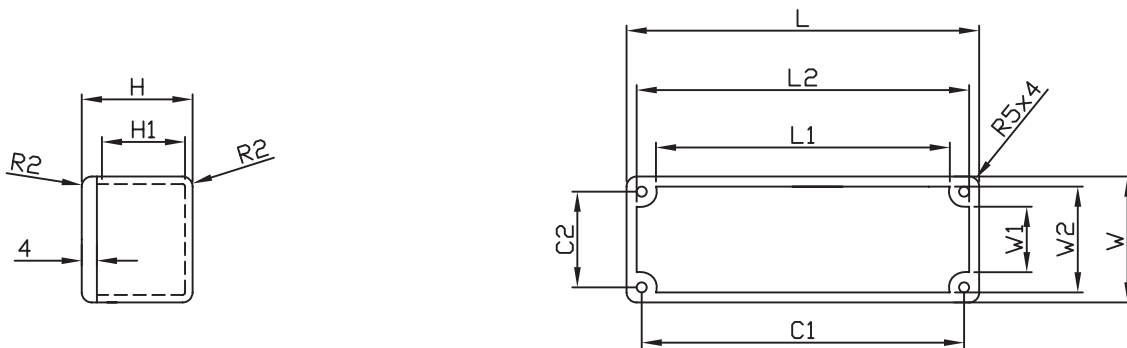
| NO SEAL (without adhesive seal) | IP66 RATING (with adhesive seal) | EXTERNAL DIMENSION(mm) |
|------------------------------------|-------------------------------------|---------------------------|
| ITEM No. | ITEM No. | |
| B011 | BS11 | 222 x 146 x 55 |
| B013 | BS13 | 114 x 64 x 30 |
| B015 | BS15 | 114 x 64 x 55 |
| B017 | BS17 | 222 x 146 x 106 |
| B019 | BS19 | 275 x 175 x 65 |
| B021 | BS21 | 250 x 250 x 100 |
| B023 | BS23 | 120 x 100 x 35 |
| B025 | BS25 | 114 x 89 x 55 |
| B027 | BS27 | 171 x 121 x 55 |
| B029 | BS29 | 140 x 100 x 75 |
| B031 | BS31 | 80 x 55 x 25 |
| B033 | BS33 | 165 x 127 x 75 |
| B035 | BS35 | 60 x 55 x 30 |
| B037 | BS37 | 89 x 35 x 30 |
| B039 | BS39 | 171 x 121 x 106 |

B011/BS11, B017/BS17, B027/BS27, B039/BS39



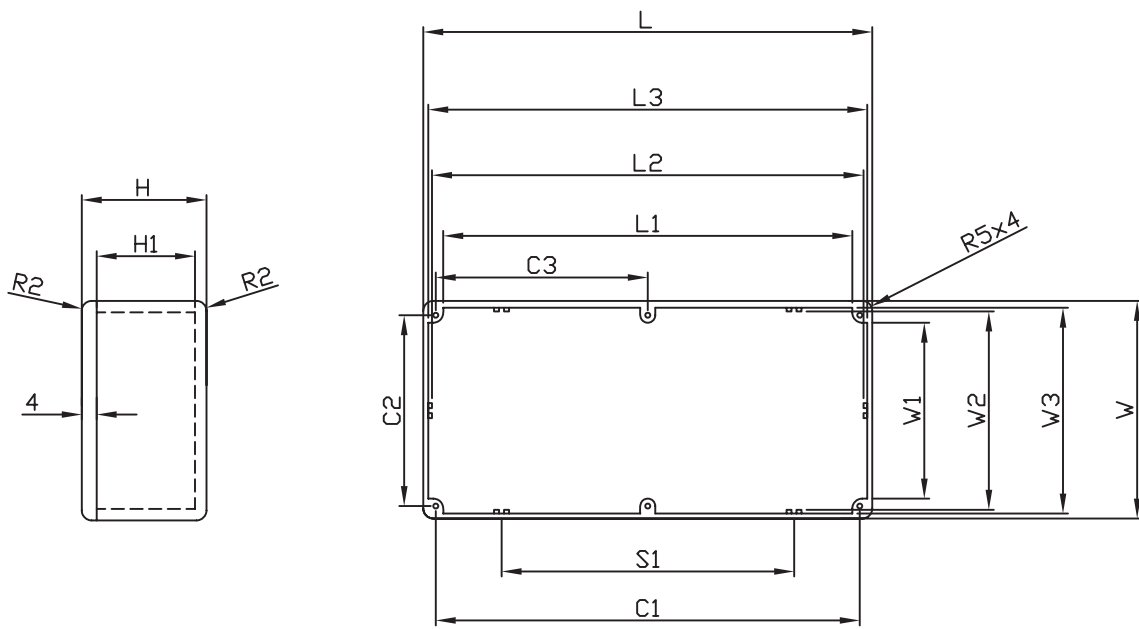
| Gainta Item NO. | L | W | H | C1 | C2 | L1 | L2 | W1 | W2 | C3 | H1 |
|-----------------|-------|-------|-------|-------|-------|-------|-------|-------|-------|-------|-------|
| B027/BS27 | 171.9 | 120.9 | 55.0 | 160.4 | 109.3 | 153.9 | 168.1 | 102.9 | 117.0 | 80.3 | 49.0 |
| B039/BS39 | 171.9 | 120.9 | 106.0 | 160.4 | 109.3 | 153.8 | 168.0 | 102.8 | 116.9 | 80.3 | 100.1 |
| B011/BS11 | 222.1 | 145.9 | 55.9 | 211.7 | 135.4 | 205.0 | 218.7 | 129.0 | 141.8 | 105.8 | 49.2 |
| B017/BS17 | 222.2 | 146.0 | 106.5 | 211.7 | 135.4 | 205.1 | 218.9 | 129.1 | 141.8 | 105.8 | 100.1 |

B013/BS13, B015/BS15, B025/BS25, B037/BS37



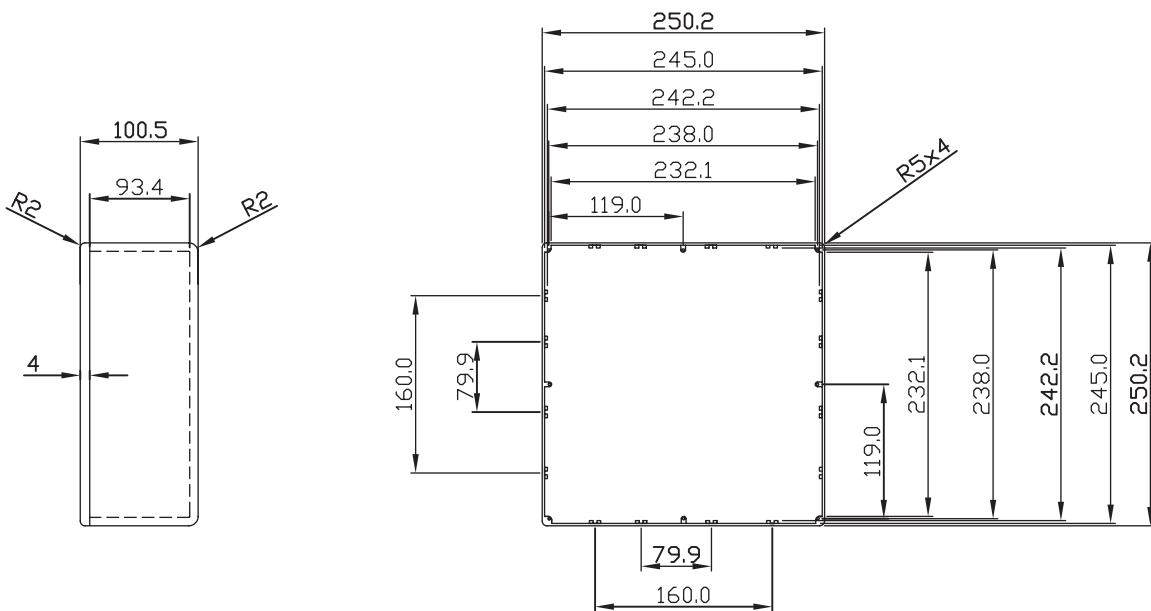
| Gainta Item NO. | L | W | H | C1 | C2 | L1 | L2 | W1 | W2 | H1 |
|-----------------|-------|------|------|-------|------|------|-------|------|------|------|
| B037/BS37 | 89.1 | 35.0 | 30.3 | 79.3 | 25.3 | 72.8 | 85.9 | 18.7 | 31.9 | 24.8 |
| B013/BS13 | 114.5 | 63.6 | 30.3 | 104.5 | 54.2 | 98.3 | 111.5 | 47.7 | 60.9 | 24.7 |
| B025/BS25 | 114.7 | 89.7 | 55.1 | 104.4 | 79.6 | 98.4 | 111.5 | 73.0 | 86.2 | 49.3 |
| B015/BS15 | 114.4 | 63.7 | 55.1 | 104.6 | 54.2 | 98.3 | 111.5 | 47.6 | 60.8 | 49.3 |

B019/BS19, B033/BS33

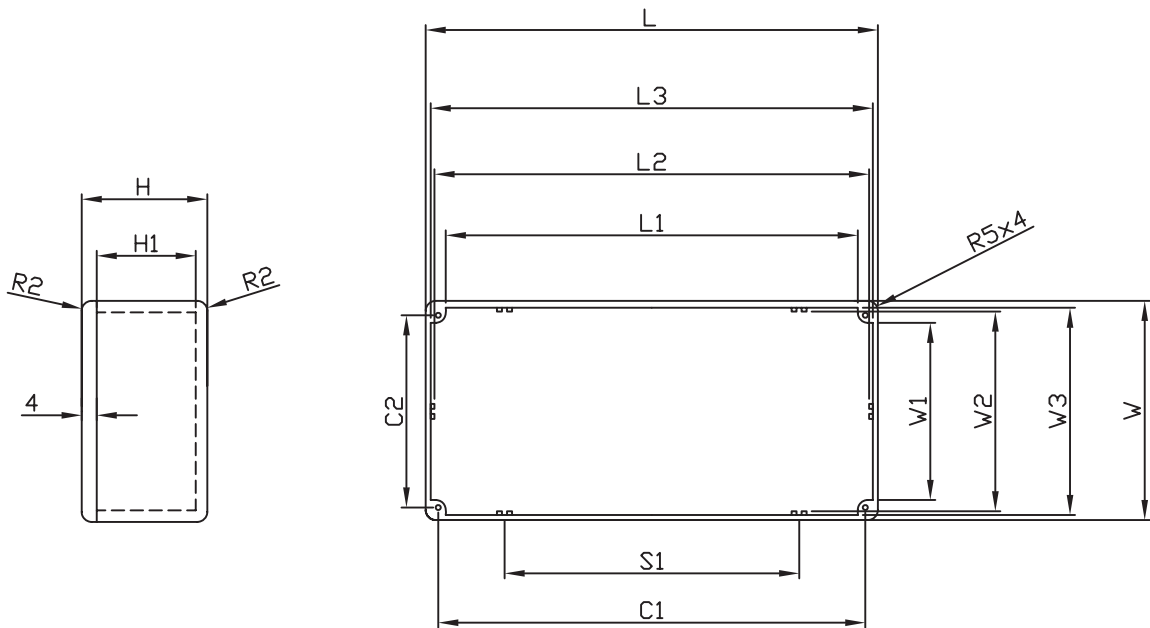


| Galnta Item NO. | L | W | H | C1 | C2 | S1 | L1 | L2 | L3 | W1 | W2 | W3 | C3 | H1 |
|-----------------|-------|-------|------|-------|-------|-------|-------|-------|-------|-------|-------|-------|-------|------|
| B019/BS19 | 275.0 | 175.0 | 65.5 | 264.1 | 164.0 | 132.2 | 258.2 | 267.3 | 271.2 | 157.4 | 166.2 | 170.8 | 132.1 | 58.6 |
| B033/BS33 | 165.8 | 127.3 | 76.3 | 154.0 | 116.1 | 77.1 | 147.6 | 157.9 | 162.2 | 109.4 | 119.4 | 123.8 | 77.1 | 70.1 |

B021/BS21

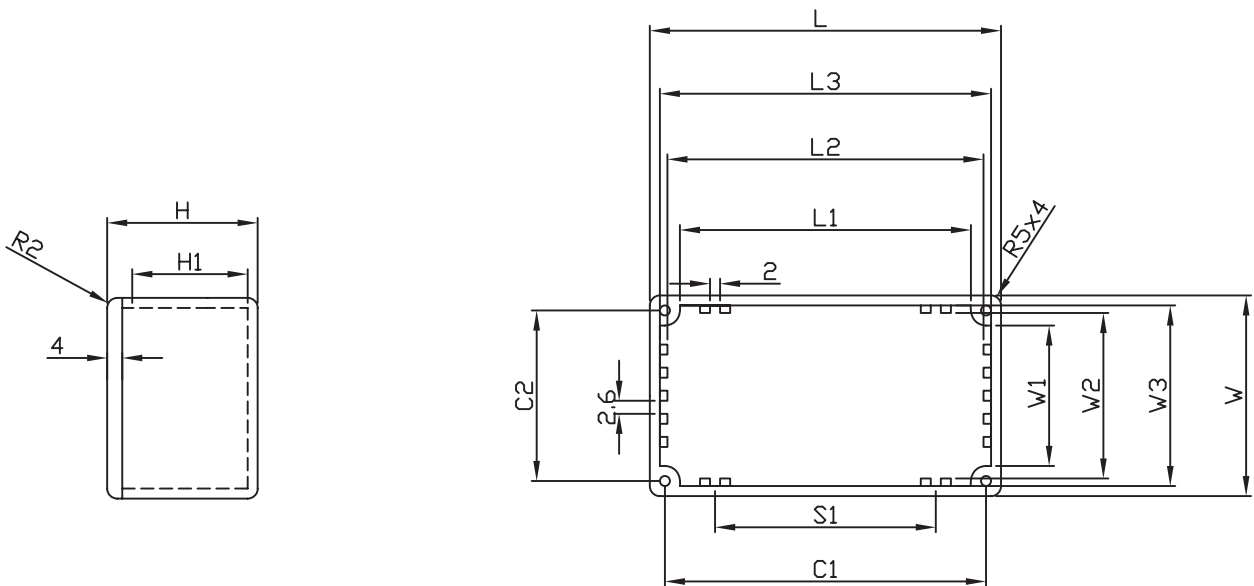


B023/BS23, B029/BS29



| Gainta Item NO. | L | W | H | C1 | C2 | S1 | L1 | L2 | L3 | W1 | W2 | W3 | H1 |
|-----------------|-------|-------|------|-------|------|------|-------|-------|-------|------|------|------|------|
| B029/BS29 | 139.1 | 101.5 | 76.7 | 128.7 | 90.7 | 64.8 | 121.8 | 130.9 | 135.0 | 83.9 | 93.3 | 97.5 | 69.8 |
| B023/BS23 | 119.9 | 100.0 | 35.7 | 108.5 | 88.4 | 50.1 | 101.9 | 112.2 | 116.5 | 81.8 | 91.9 | 96.1 | 29.2 |

B031/BS31, B035/BS35



| Gainta Item NO. | L | W | H | C1 | C2 | S1 | L1 | L2 | L3 | W1 | W2 | W3 | H1 |
|-----------------|------|------|------|------|------|------|------|------|------|------|------|------|------|
| B031/BS31 | 79.9 | 54.9 | 25.5 | 70.5 | 45.4 | 40.0 | 64.0 | 73.8 | 76.8 | 38.7 | 48.8 | 51.7 | 19.7 |
| B035/BS35 | 60.0 | 54.9 | 30.0 | 50.6 | 45.4 | 30.0 | 43.8 | 54.0 | 56.9 | 38.9 | 48.8 | 51.8 | 24.6 |