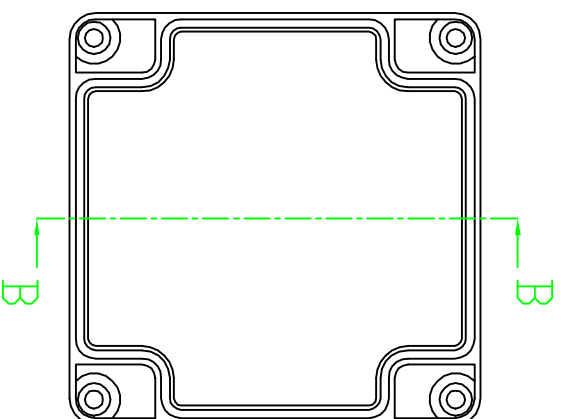
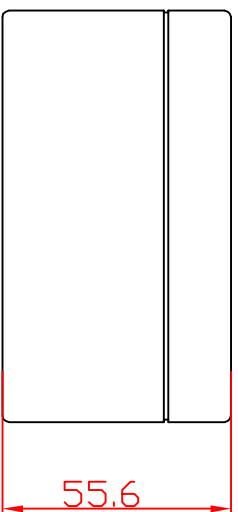
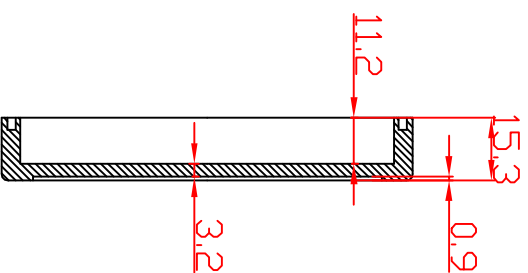
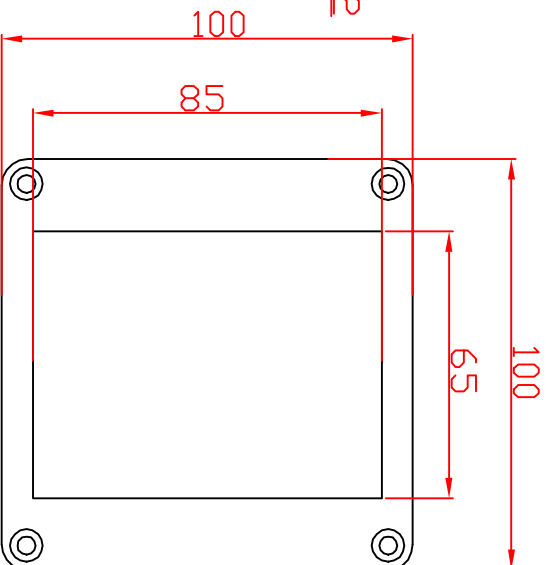
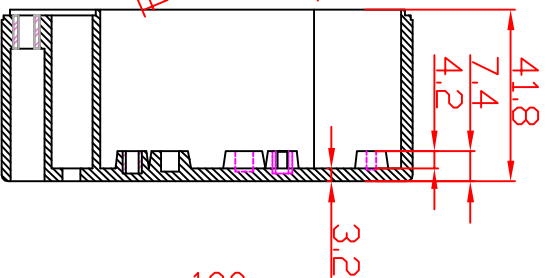
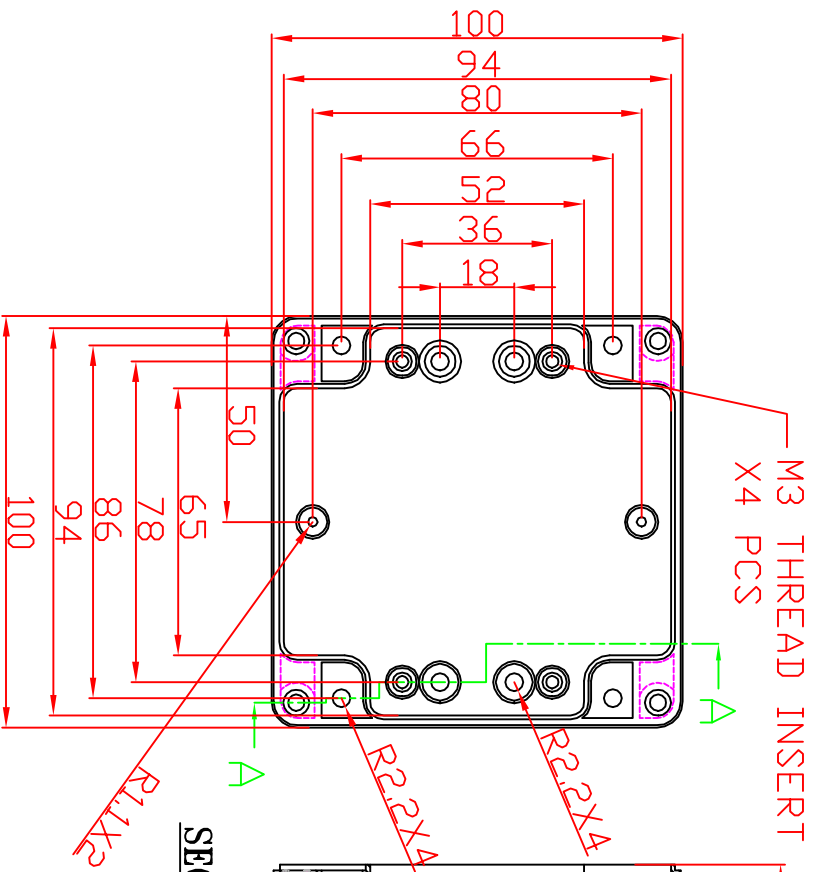


# G2100/G3101



SECTION "A-A"

SECTION "B-B"

宣又實業有限公司 GAINTA INDUSTRIES LTD.		DESIGN BY	DRAWN BY	CHECKED BY	SCALE	DATE	MATERIAL	TITLE	DWG NO.	REVISED	DESCRIPTION
		JACKY				2009/6/17	ABS,PC	G2100/G3101		C	