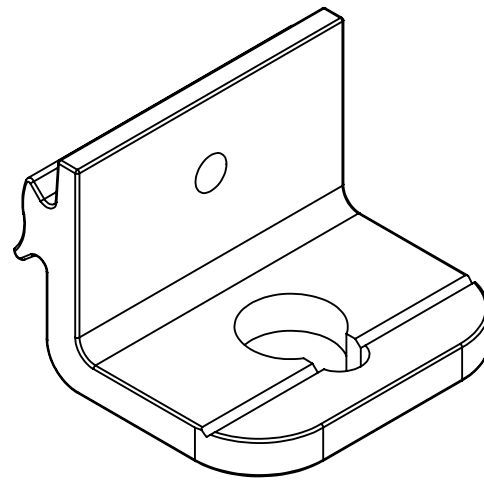
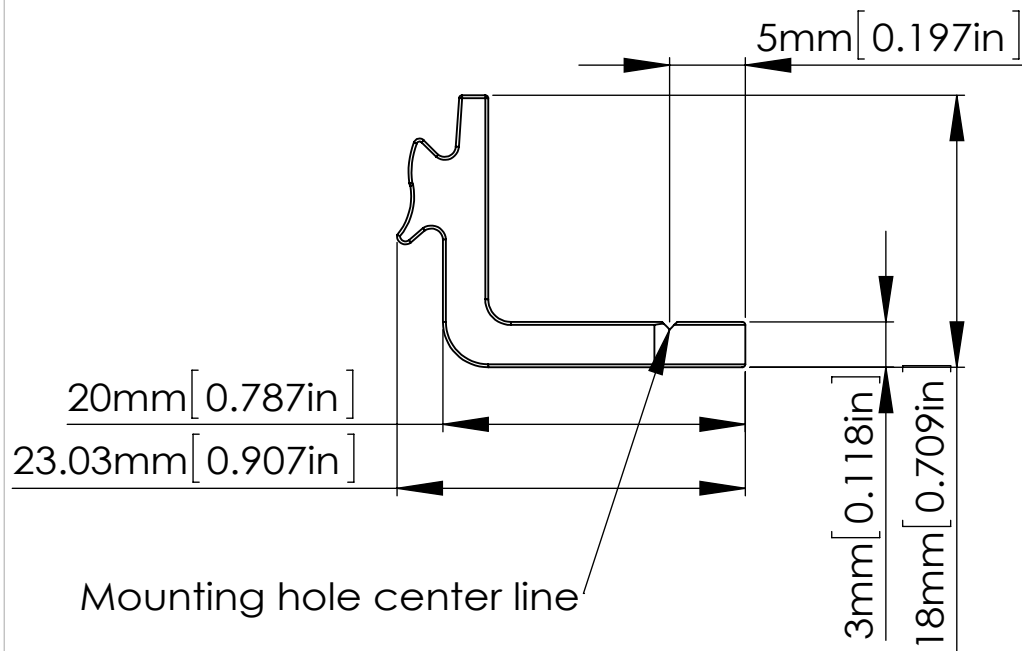
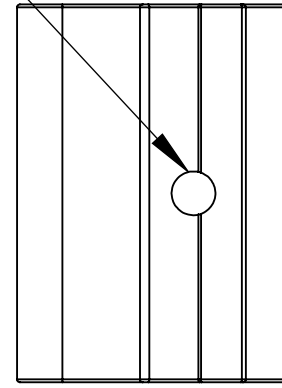


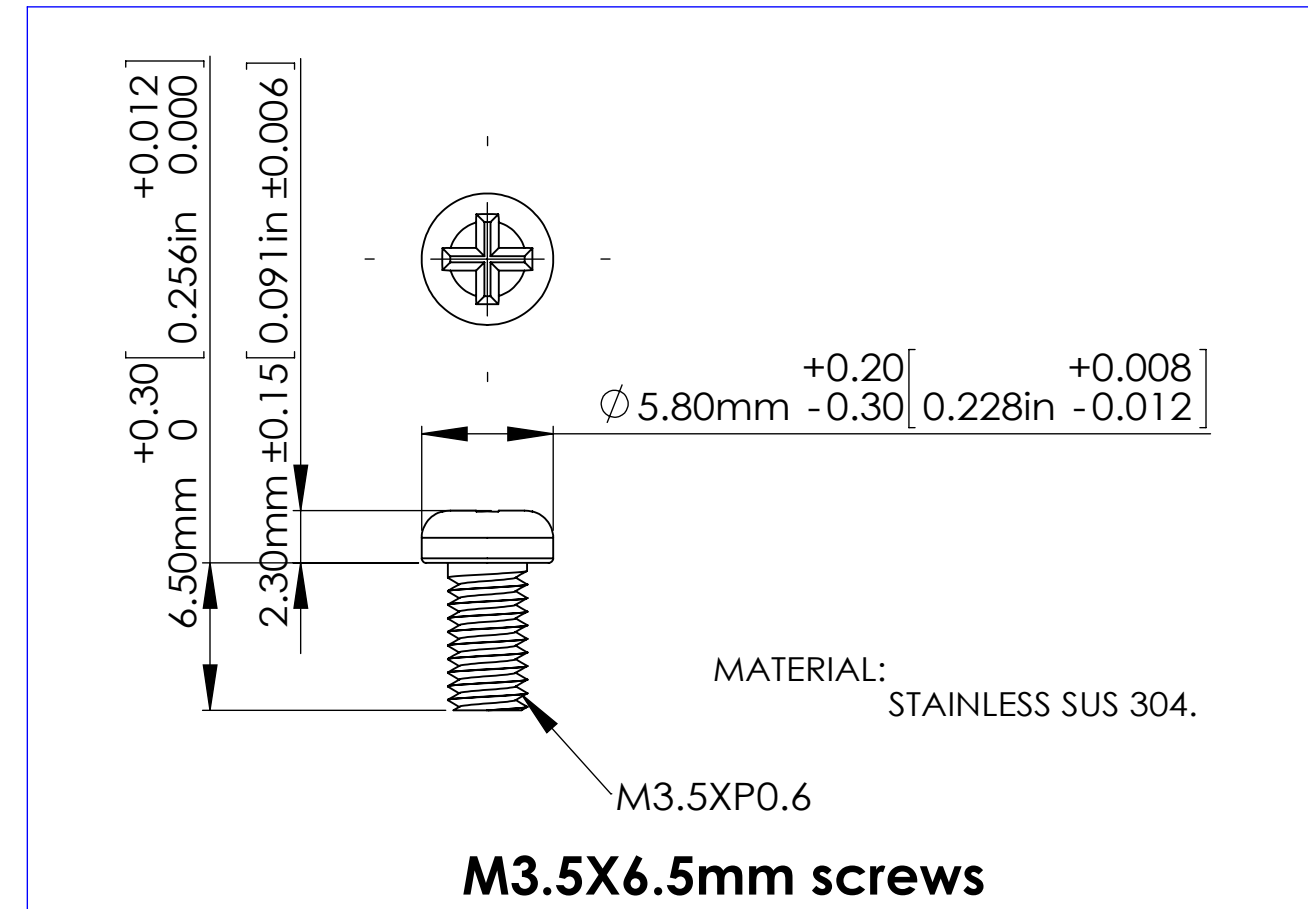
Tapping M3.5X6.5mm thread



**ALMF-002PBK**

ITEM No.	EXTERNAL DIMENSION(mm)
ALMF-002PBK	25x18x3 mm

ALMF-002PBK(1 set)includes
1. 2 psc of mounting brackets&2 pcs M3.5X6.5mm screws. 2. Color:Painted black (PBK),similar to RAL9005.



**M3.5X6.5mm screws**

According to ISO 2768-m	
Measuring DIM=L	Tolerances
0.5<L<=3.0mm	±0.1mm
3.0<L<=6.0 mm	±0.1mm
6.0<L<=30.0 mm	±0.2mm
30.0<L<=120.0 mm	±0.3mm
120.0<L<=400.0 mm	±0.5mm
400.0<L<=1000.0 mm	±0.8mm

宣又實業有限公司  
GAINTA INDUSTRIES LTD.

繪圖 DRA'D BY  
JACKY

日期 DATE  
2015/06/01

材質 MATE.  
ALUMINIUM

圖名TITLE:  
ALMF-002PBK

圖號DWG NO:

版次REVISED:  
A