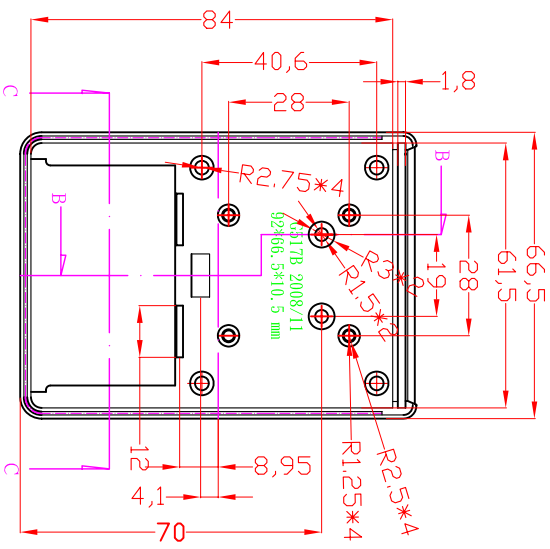
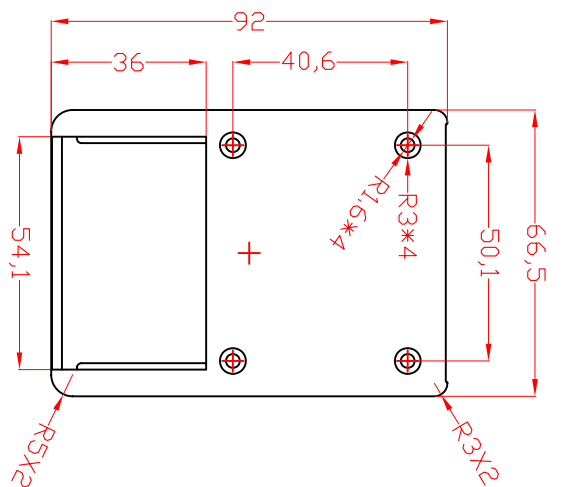
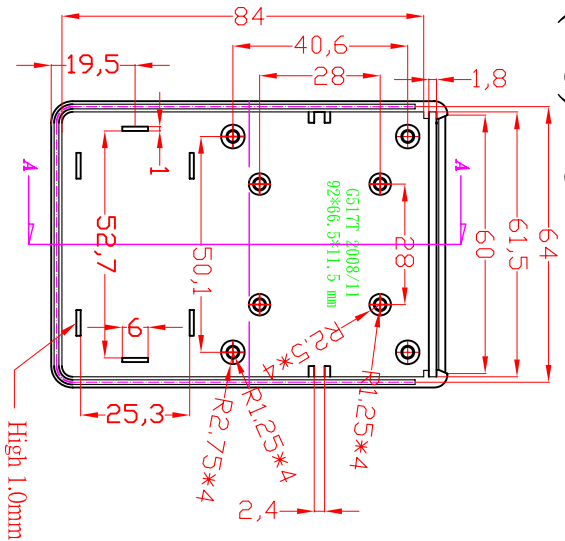
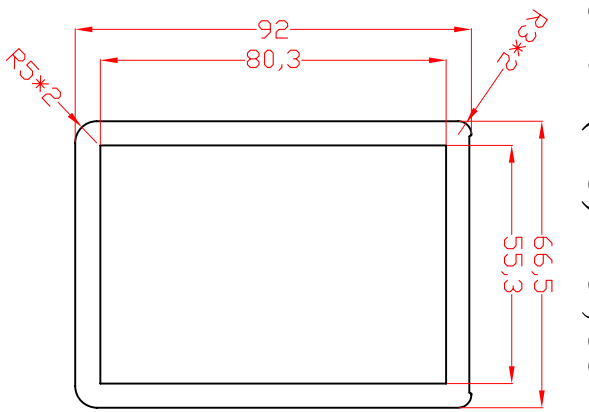
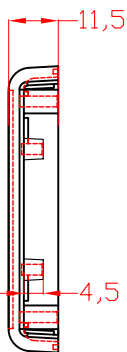


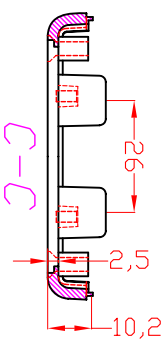
G517B(BC)-1@;G517G(BC)-1@



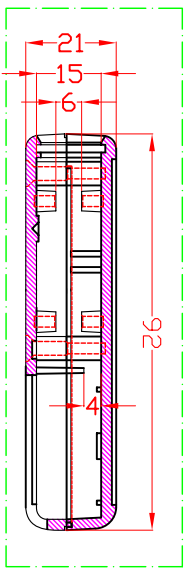
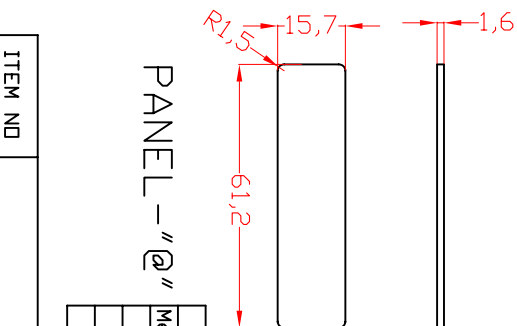
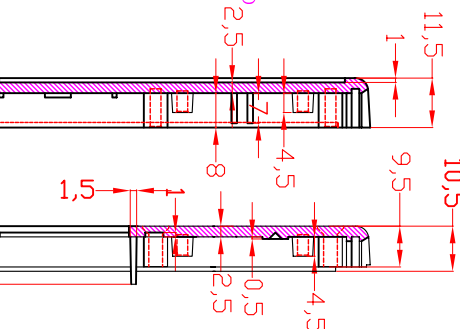
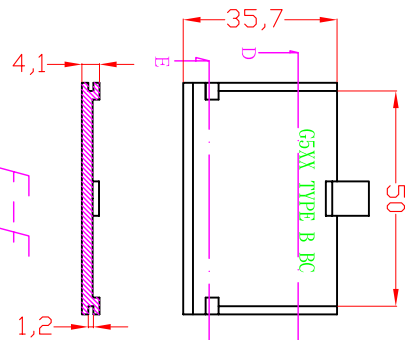
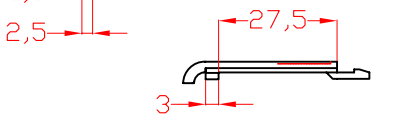
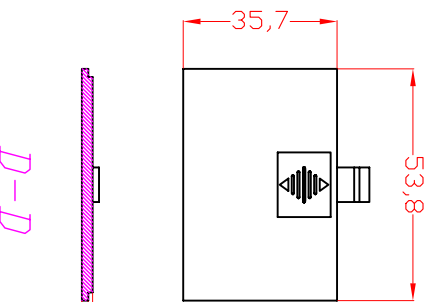
TOP



BASE



C-C



D-D

E-E

BATTERY-COVER

A-A

B-B

PANEL-"@"

According to ISO 2768-m			
Measuring DIM=L	Tolerance	Measuring DIM=L	Tolerance
0.5<L≤3.0 mm	±0.1 mm	3.0<L≤12.0 mm	±0.3 mm
3.0<L≤6.0 mm	±0.1 mm	12.0<L≤40.0 mm	±0.5 mm
6.0<L≤30.0 mm	±0.2 mm	40.0<L≤100.0 mm	±0.8 mm

ITEM NO	DESCRIPTION
G517B(BC)-1@	BLACK(G517T+G517B+PANEL-"@"+B.C.)M1+M3*16 mm BLACK SCREWS *4
G517G(BC)-1@	GRAY(G517T+G517B+PANEL-"@"+B.C.)M1+M3*16 mm BLACK SCREWS *4

宣文實業有限公司
GAINTA INDUSTRIES LTD.

設計 BY DES'D

繪圖 BY DRAW'D

核圖 BY CHK'D

比例 SCALE

日期 DATE

材質 MATE.

圖名 TITLE

圖號 DWG NO.

圖號 REVISED

說明 DESCRIPTION

A