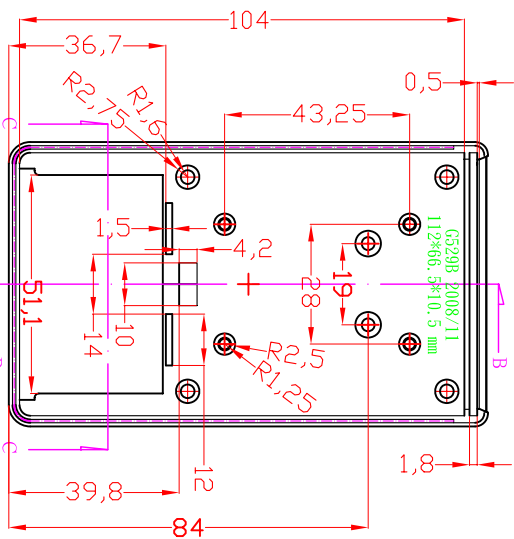
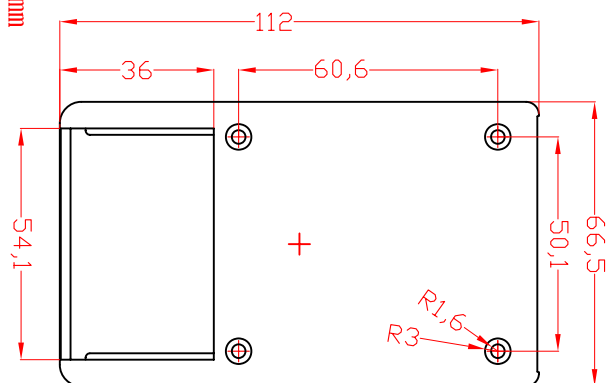
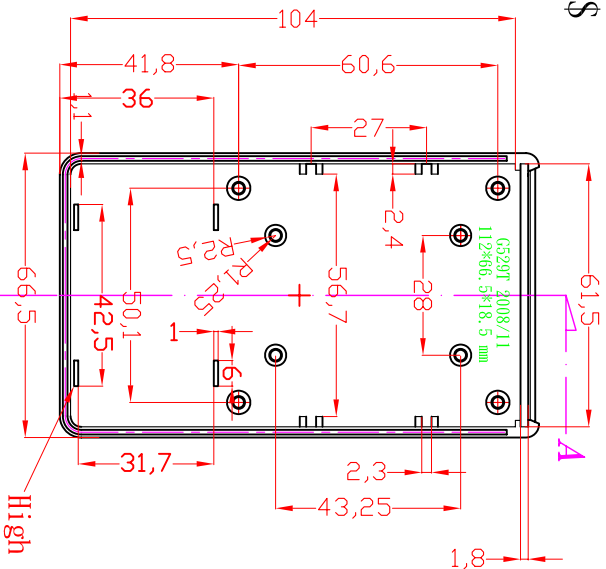
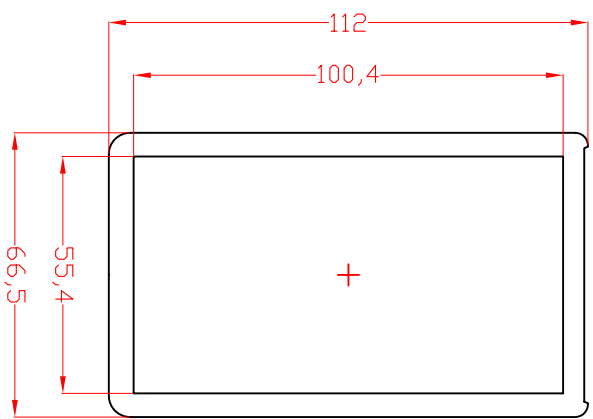
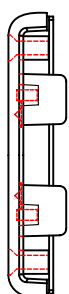
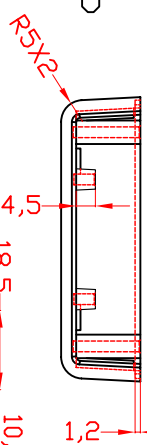


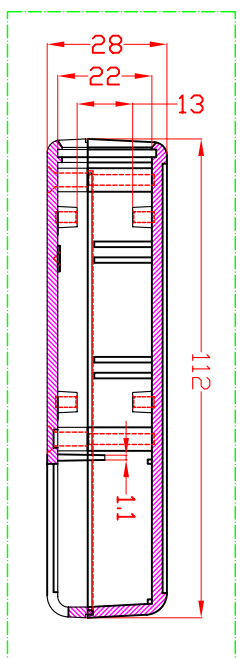
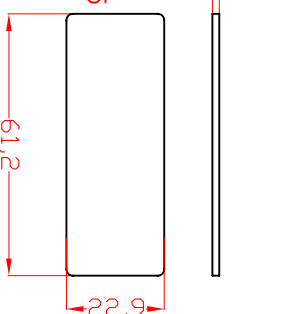
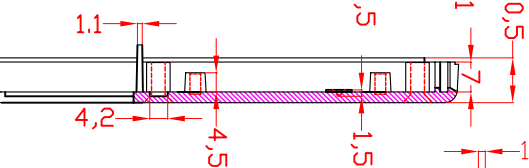
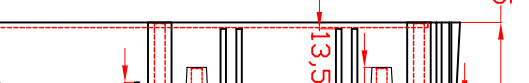
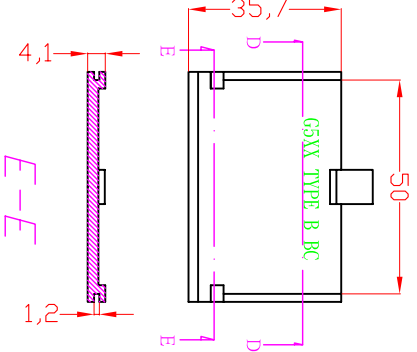
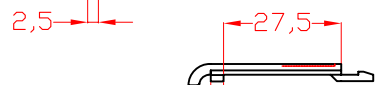
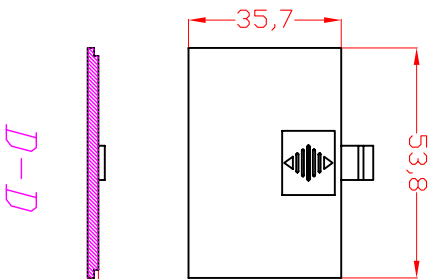
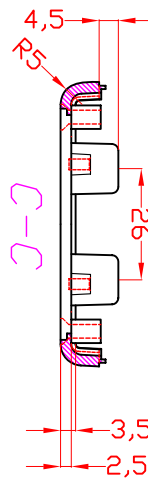
G529B(BC)-1\$;G529G(BC)-1\$



TOP



BASE



PANEL - "\$"

According to ISO 2768-m

Measuring DIM=L	Tolerance	Measuring DIM=L	Tolerance
0.5<L<3.0 mm	±0.1 mm	30.0<L<120.0 mm	±0.3 mm
3.0<L<6.0 mm	±0.1 mm	120.0<L<400.0 mm	±0.5 mm
6.0<L<30.0 mm	±0.2 mm	400.0<L<10000.0 mm	±0.8 mm

DESCRIPTION

ITEM NO	DESCRIPTION
G529R(BC)-1\$	BLACK(G529T+G529B+PANEL-"\$"+B.C.)M1+M3*16 mm BLACK SCREWS *4
G529G(BC)-1\$	GRAY(G529T+G529B+PANEL-"\$"+B.C.)M1+M3*16 mm BLACK SCREWS *4

BATTERY-COVER

D-D

E-E

A-A

B-B

C-C

宣文實業有限公司
GAINTA INDUSTRIES LTD.

設計 BY

繪圖 BY

核圖 BY

比例 SCALE

日期 DATE

材質 MATE.

圖名 TITLE:

圖號 DWG NO.

圖號 REVISID

說明 DESCRIPTION

JACKY

JACKY

JACKY

2009/1/7

ABS

G529B(BC)-1\$;G529G(BC)-1\$

A

A

A

A