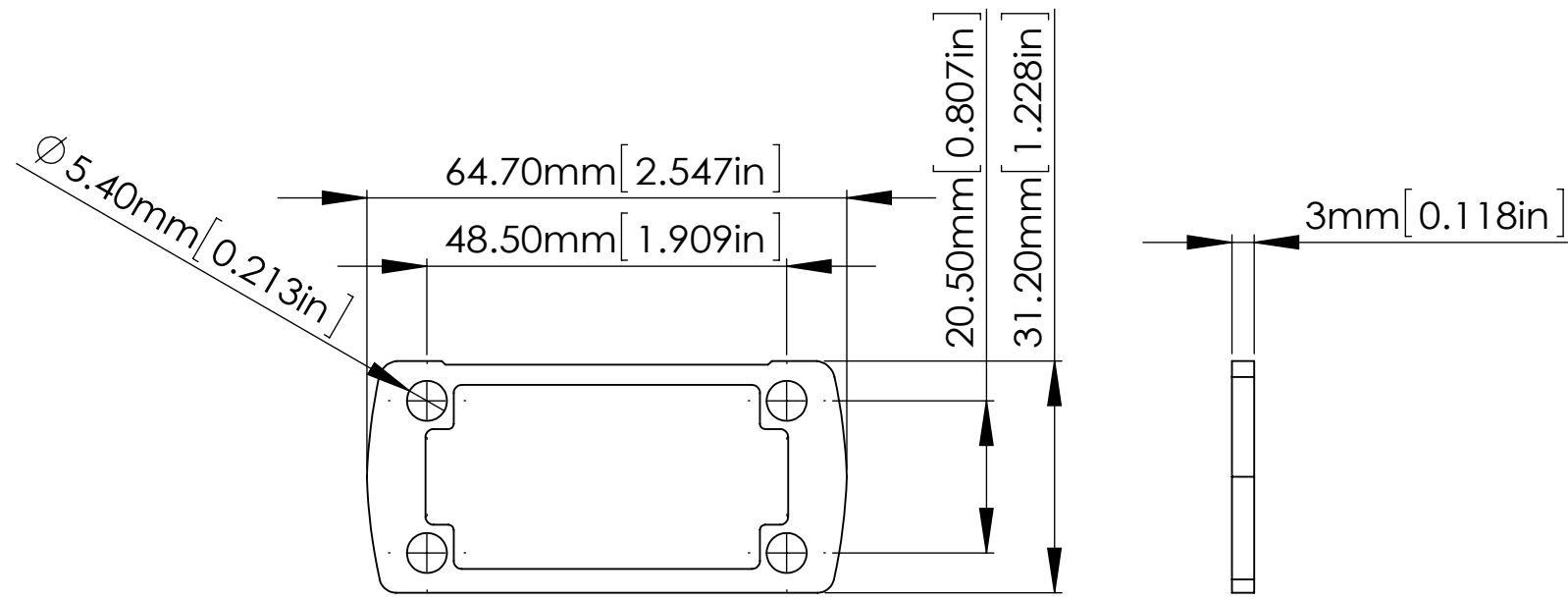
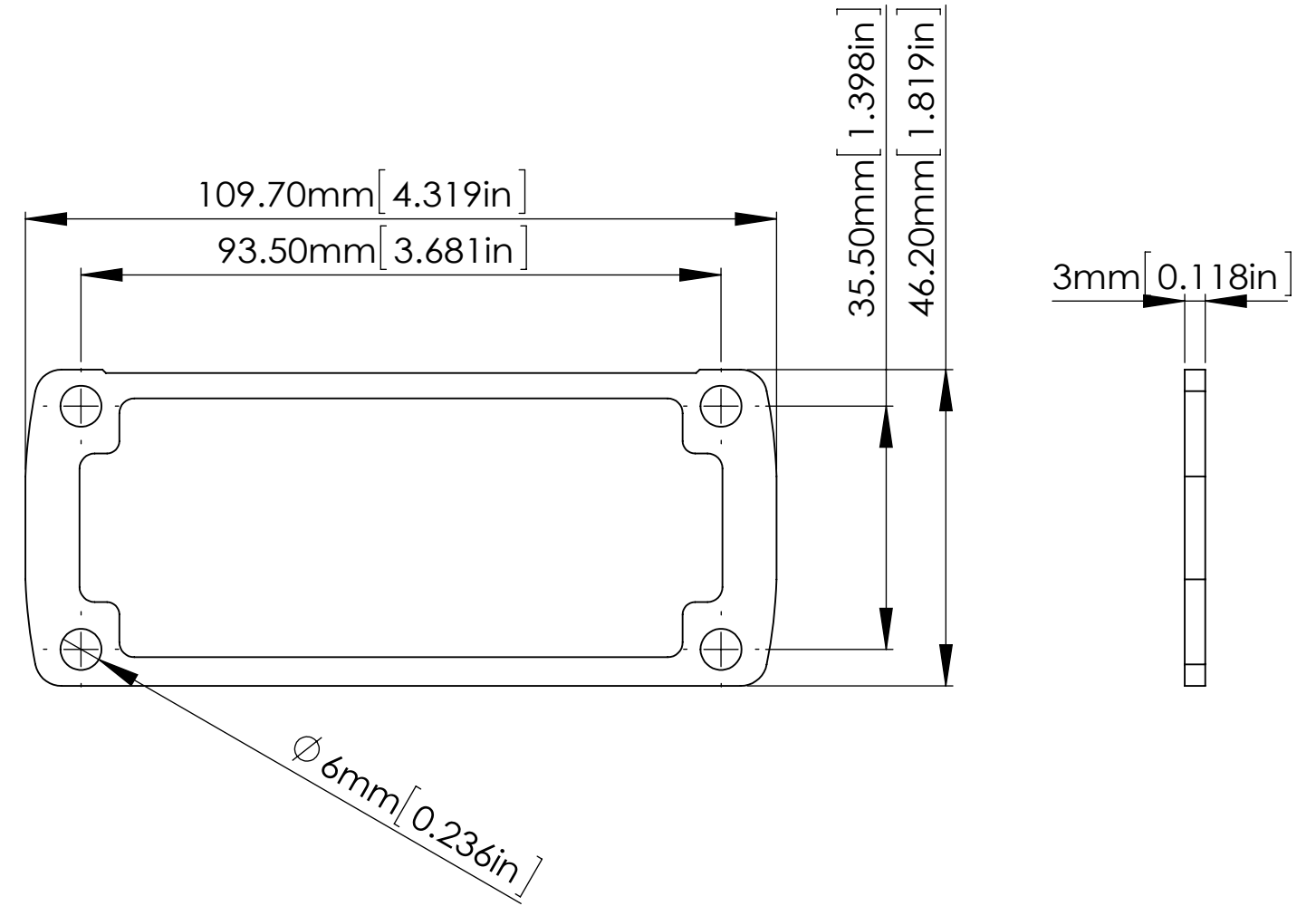


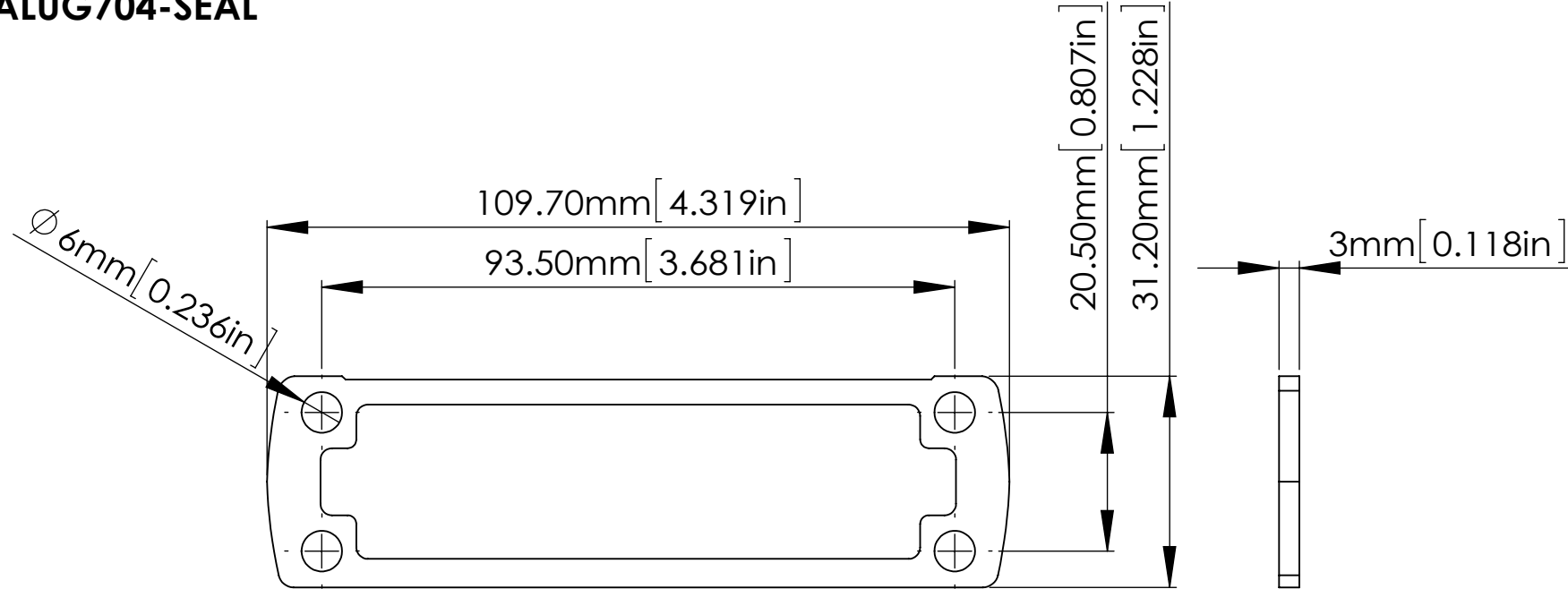
**ALUG702-SEAL**



**ALUG705-SEAL**



**ALUG704-SEAL**



According to ISO 2768-m	
Measuring DIM=L	Tolerances
0.5<L<=3.0mm	±0.1mm
3.0<L<=6.0 mm	±0.1mm
6.0<L<=30.0 mm	±0.2mm
30.0<L<=120.0 mm	±0.3mm
120.0<L<=400.0 mm	±0.5mm
400.0<L<=1000.0 mm	±0.8mm

宣又實業有限公司  
GAINTA INDUSTRIES LTD.

繪圖 DRA'D BY  
JACKY

日期 DATE  
2015/07/13

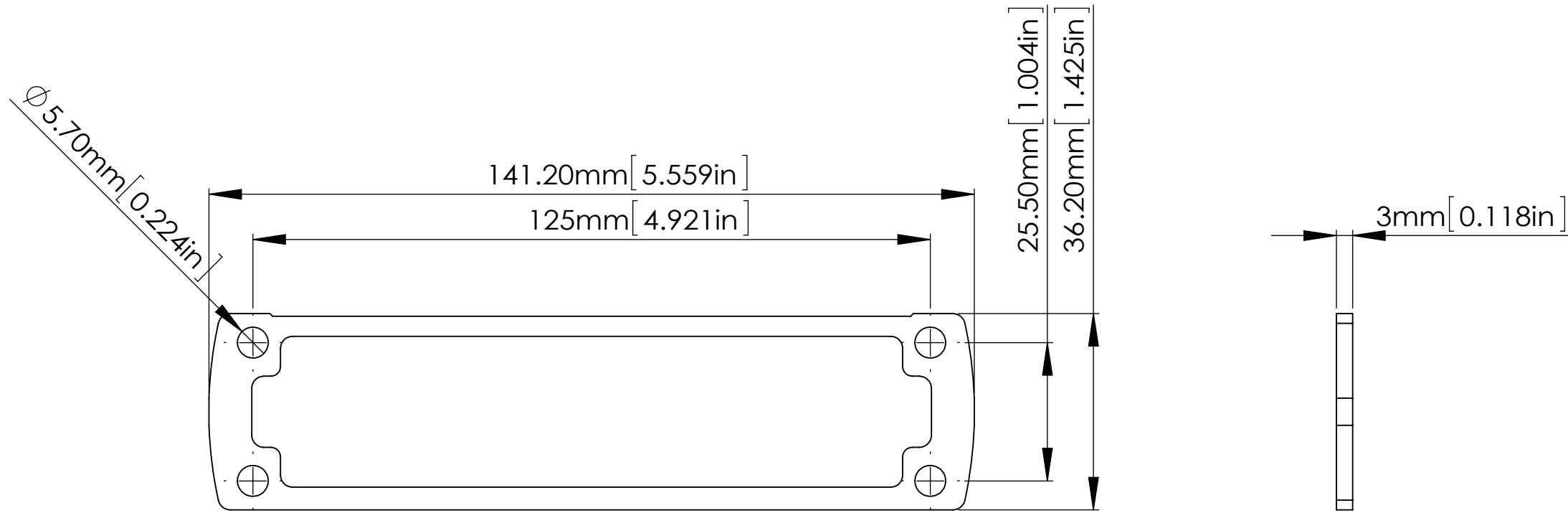
材質 MATE.  
CR

圖名TITLE:  
ALUG7XX-SEAL

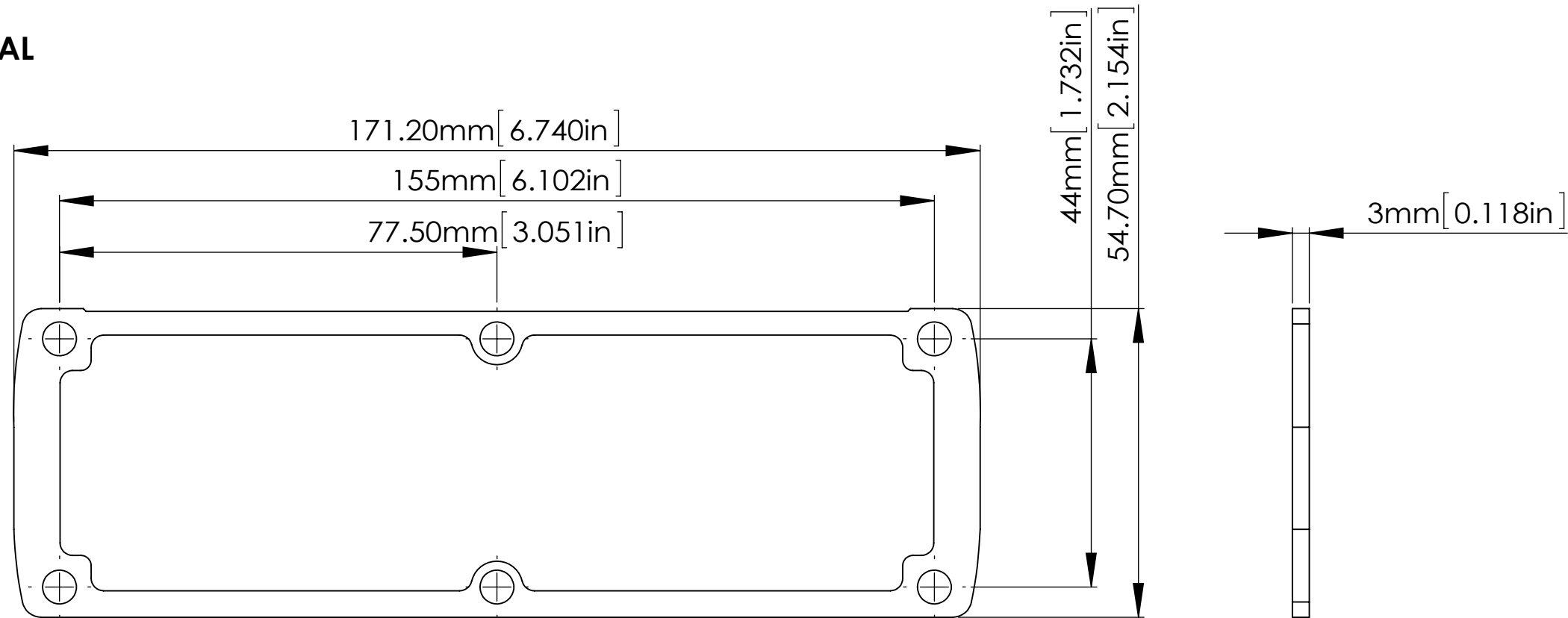
圖號DWG NO:  
1

版次REVISED:  
A

**ALUG706-SEAL**



**ALUG708-SEAL**



According to ISO 2768-m	
Measuring DIM=L	Tolerances
0.5<L<=3.0mm	±0.1mm
3.0<L<=6.0 mm	±0.1mm
6.0<L<=30.0 mm	±0.2mm
30.0<L<=120.0 mm	±0.3mm
120.0<L<=400.0 mm	±0.5mm
400.0<L<=1000.0 mm	±0.8mm

宣又實業有限公司  
GAINTA INDUSTRIES LTD.

繪圖 DRA'D BY  
JACKY

日期 DATE  
2015/07/13

材質 MATE.  
CR

圖名TITLE:  
ALUG7XX-SEAL

圖號DWG NO:  
2

版次REVISED:  
A